

TREE PROFINET managed Switch 5x10/100BT IP67 plastic M12

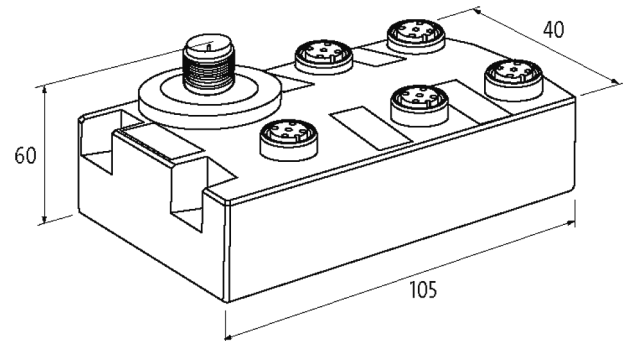
5 ports

PROFINET - Managed Switch

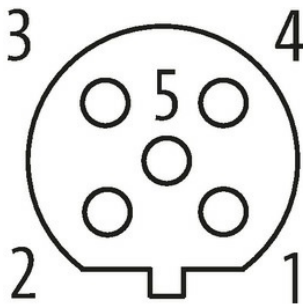
Connection cables are in the online shop under "Connection Technology".

[Link to Product](#)

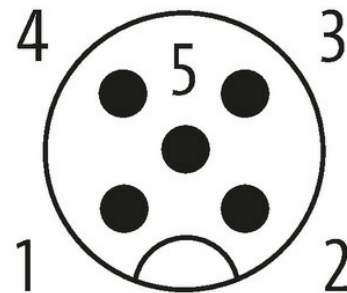
Illustration



Female



Male



Product may differ from Image



Technical Data

Operating voltage	9.5...31.5 V
Transfer rate	10/100 Mbit/s full duplex
Operating modes	Autocrossing Autonegotiation

General data

Mounting method	3 hole screw mounting
Temperature range	0...+60 °C (storage temperature -40...+85 °C)
Housing	Black plastic
Protection	IP67
Dimensions H×W×D	105×60×40 mm

Connections

Fieldbus	5× M12 (female), D-coded
----------	--------------------------

The information in this brochure has been compiled with the utmost care. Liability for the correctness completeness and topicality of the information is restricted to gross negligence. Version: 03/22

Supply 1 × M12 (male), A-coded

PROFINET

Specification	V2.3, Conformance Class B
Addressing	DCP
FSU (Fast-Start-Up)	no
PROFINET Netload Class	I
MRP	yes
Shared Device	no

Switch Management

Protocols	DHCP, SNMP (v1, v2c, v3), RSTP, STP, LLDP, NTP, RMON, SSH (CLI)
Port Mirroring	yes
VLAN (QoS) IEEE 802.p	yes
Alarm contact	no
Remote maintenance	Open VPN
Webserver	HTTP, HTTPS
Switch Form	PROFINET - Managed Switch

Diagnostic

Communication status	via LED, LLDP
Monitoring - no voltage	yes

Commercial data

country of origin	DE
customs tariff number	85176200
EAN	4048879720311
eClass	19170106
Packaging unit	1.000