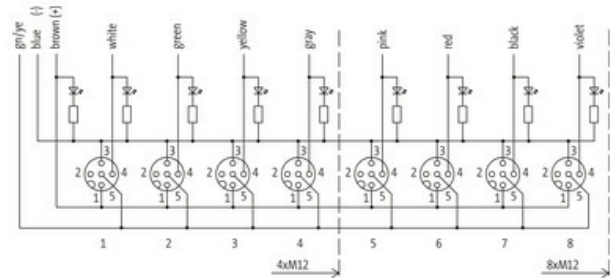
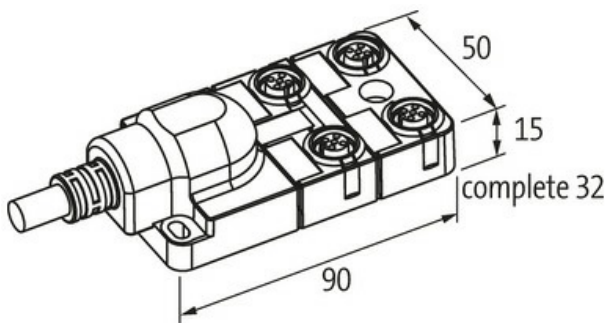


**EXACT12, 4XM12, 4 POLE MOULDED CABLE**

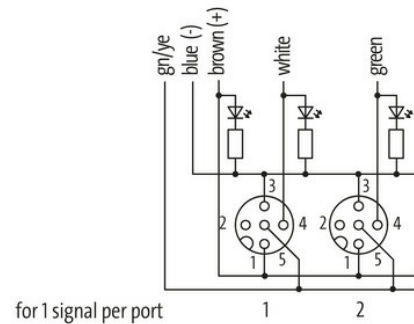
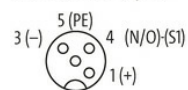
3.0m PUR/PVC 4X0.34+3X0.75, UL/CSA

PUR/PVC

3.0 m

[Link to Product](#)**Illustration**

M12-Females 4-pole



Product may differ from Image

**Technical Data**

|                               |                          |
|-------------------------------|--------------------------|
| Operating voltage             | 24 V DC                  |
| Operating current per contact | max. 4 A                 |
| Locking of ports              | Screw thread (M12×1 mm)  |
| Protection                    | IP65/IP67                |
| Housing                       | Plastic, flame retardant |
| Total current                 | max. 8 A                 |

**General data**

|                   |  |
|-------------------|--|
| Temperature range | -20...+70 °C, depending on cable quality |
|-------------------|--|

**Cables**

|                       |                                   |
|-----------------------|-----------------------------------|
| No./diameter of wires | 4× 0.34 + 3× 0.75 mm <sup>2</sup> |
| Wire isolation        | PVC                               |
| C-track properties    | 2 Mio.                            |

|                                    |  |
|------------------------------------|--|
| Outer Ø                            | 7.4 mm ±5%   |
| Cable identification               | 333  |
| Cable Type                         | 2 (PUR/PVC)  |
| Cable number                       | 333  |
| Approval (cable)                   | UL (AWM-Style 21441/10955), CE conform   |
| Cable weight [g/m]                 | 91,3 g   |
| Material (wire)                    | Cu wire, bare  |
| Resistor (core)                    | max. 57 Ω/km (0.34 mm <sup>2</sup> ), max. 26 Ω/km (0.75 mm <sup>2</sup> ); (20 °C)                  |
| Single wire Ø (core)               | 0.15 mm (0.34 mm <sup>2</sup> ); 0.2 mm (0.75 mm <sup>2</sup> )                                      |
| Construction (core)                | 19× 0.15 mm (0.34 mm <sup>2</sup> ); 24× 0.2 mm (0.75 mm <sup>2</sup> ); (multi-strand wire class 5) |
| Diameter (core)                    | 4× 0.34 + 3× 0.75 mm <sup>2</sup>  |
| AWG                                | similar to AWG 22 (0.34 mm <sup>2</sup> ); similar to AWG 18 (0.75 mm <sup>2</sup> )                 |
| Material (wire isolation)          | PVC  |
| Material property (wire isolation) | CFC-, cadmium-, silicone- and lead-free  |
| Shore hardness (wire isolation)    | 43 ±5 D  |
| Wire-Ø incl. isolation             | 1.3 mm ±5% (0.34 mm <sup>2</sup> ); 1.8 mm ±5% (0.75 mm <sup>2</sup> )                               |
| Color/numbering of wires           | wh, gn, ye, gr+br, bl, gnye longitudinally striped   |
| Shield                             | no   |
| Material (jacket)                  | PUR/PVC  |
| Shore hardness (jacket)            | 87 ±5 A  |
| Outer-Ø (jacket)                   | 7.4 mm ±5%   |
| Color (jacket)                     | gray   |
| Jacket Color                       | gray   |
| chemical resistance                | good resistance to oil, gasoline and chemicals (EN 60811-404)  |
| Nominal voltage                    | U0/U 300/300 V AC  |
| Test voltage                       | 2000 V AC  |
| Current load capacity              | to DIN VDE 0298-4  |
| Temperature range (fixed)          | -30...+80 °C   |
| Temperature range (fixed)          | -30...+80 °C   |
| Temperature range (mobile)         | -5...+70 °C  |
| Temperature range (mobile)         | -5...+70 °C  |
| Bend radius (fixed)                | 5× outer Ø   |
| Bend radius (moving)               | 12× outer Ø  |
| Bend radius (moving)               | 12× outer Ø  |
| No. of bending cycles (C-track)    | max. 2 Mio. (25 °C)  |
| Travel speed (C-track)             | max. 2 m/s   |
| Acceleration (C-track)             | max. 10 m/s <sup>2</sup>   |
| Material (jacket)                  | PUR/PVC  |

#### Contact Layout

|       |   |
|-------|---|
| PIN 1 | (+)                                     |
| PIN 3 | (-)                                     |
| PIN 4 | (NO)/(S1)                               |
| PIN 5 | (Earth)                                 |
|       | LED (green): Power / LED (yellow): (S1) |

#### Commercial data

|                       |               |
|-----------------------|---------------|
| country of origin     | DE            |
| customs tariff number | 85444290      |
| EAN                   | 4048879056052 |
| eClass                | 27279219      |
| Packaging unit        | 1.000         |