

CAP FOR D-BOX M12 8-WAY 5-POLE

Pot.-sep. 25m PUR/PVC, 16x0,34+5X0.75

for 8-way distribution boxes, 5-pole
potentially separated

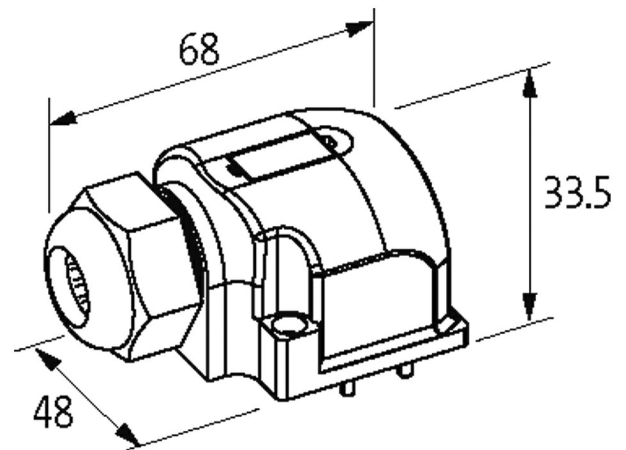
Further cable lengths on request.

Plastic housings with good resistance against chemicals and oils.

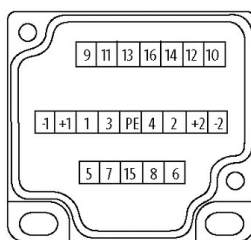
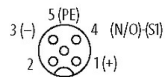
The resistance to aggressive media should be individually tested for your application. Further details on request.

[Link to Product](#)

Illustration



M12-Females 5-pole



for 2 signals per port

Product may differ from Image

Technical Data

Housing	Plastic, flame retardant
Total current	max. 8 A

General data

Temperature range	-20...+80 °C, depending on cable quality
-------------------	--

Cables

Cable number	404
No./diameter of wires	16x 0.34 + 5x 0.75 mm ²
Wire isolation	PVC
C-track properties	1.5 Mio.

Jacket Color	gray
Material (jacket)	PUR/PVC
Material (wire)	Cu wire, bare
Resistor (core)	max. 57 Ω /km (0.34 mm ²), max. 26 Ω /km (0.75 mm ²); (20 °C)
Outer \emptyset	12.5 mm \pm 5%
Bend radius (fixed)	10 \times outer \emptyset
Bend radius (moving)	12 \times outer \emptyset
Temperature range (fixed)	-30...+80 °C
Temperature range (mobile)	-30...+80 °C

Commercial data

country of origin	CZ
customs tariff number	85444290
EAN	4048879053594
eClass	27143423
Packaging unit	1