

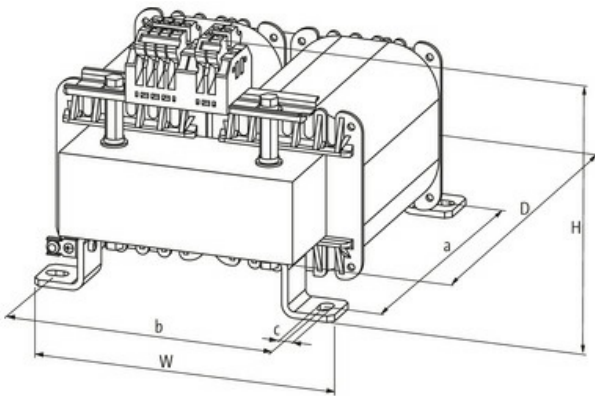
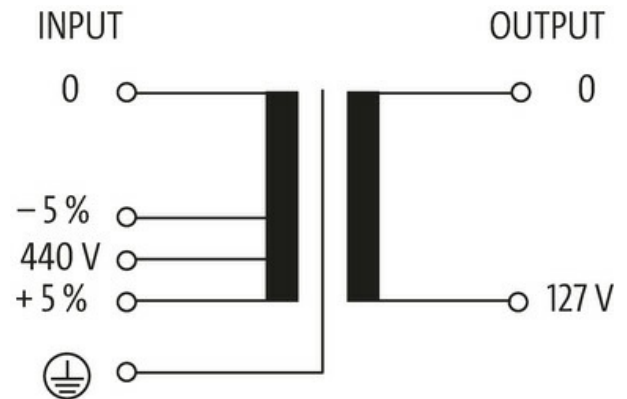
MET SINGLE-PHASE CONTROL AND ISOLATION TRANSFORMER

P:1000VA IN:440VAC±5% OUT:127VAC

Single-phase - Control and Isolation Transformers
1000 VA
Isolation class T 60/B

[Link to Product](#)

Illustration



Product may differ from Image



General data

Standards	EN 61558-2-4, EN 62041 category 0
Mounting method	Long-hole mounting
Temperature range	-20...+60 °C (storage temperature -40...+80 °C)
Test isolation voltage	5.9 kV (prim./sec.)
Drill hole Ø	7×16 mm
Fixing centers a×b×c	111.5×135×7 mm
Dimensions H×W×D	137×174×165 mm

Output

The information in this brochure has been compiled with the utmost care.
Liability for the correctness completeness and topicality of the information is restricted to gross negligence. Version: 03/22

Output voltage	127 V AC
Output rating	1000 VA
Input	
Input voltage	440 V AC $\pm 5\%$
Inrush current	45 A (440 V AC)
Short-circuit current	100 A (440 V AC)
Input current	2.43 A (440 V AC)
Frequency	50...60 Hz
Commercial data	
country of origin	CZ
customs tariff number	85043180
EAN	4048879335096
eClass	27031202
Packaging unit	1.000