

**M12 male 0° / M12 female 0° A-cod.**

PUR 12x0.14 bk UL/CSA+drag ch. 4m

Male straight – female straight

M12 – M12, 12-pole

Art-No. 7005 - M12 Lite - (plastic hexagonal screw) on request

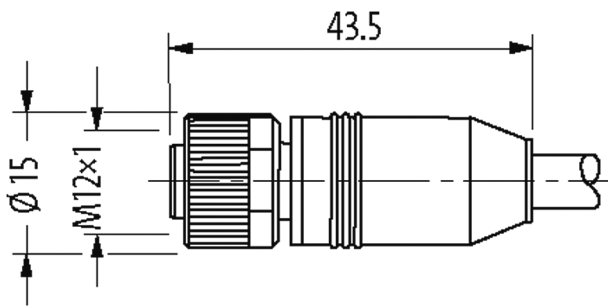
Plastic housings with good resistance against chemicals and oils.

The resistance to aggressive media should be individually tested for your application. Further details on request.

Further cable lengths on request.

**Link to Product**

**Illustration**



|    |   |           |      |
|----|---|-----------|------|
| 1  | ■ | brown     | c 1  |
| 2  | ■ | blue      | c 2  |
| 3  | ■ | white     | c 3  |
| 4  | ■ | green     | c 4  |
| 5  | ■ | pink      | c 5  |
| 6  | ■ | yellow    | c 6  |
| 7  | ■ | black     | c 7  |
| 8  | ■ | gray      | c 8  |
| 9  | ■ | red       | c 9  |
| 10 | ■ | violet    | c 10 |
| 11 | ■ | gray/pink | c 11 |
| 12 | ■ | red/blue  | c 12 |

Male



Female



Product may differ from image

\* only for products with UL/CSA approved cable

**Form**

Form

53001

**Technical Data**

|                               |  |
|-------------------------------|--|
| Operating voltage             | max. 30 V AC/DC  |
| Rated surge voltage           | 0.8 kV   |
| Operating current per contact | max. 1.5 A   |
| Locking of ports              | Screw thread (M12×1 mm) recommended torque 0.6 Nm, self-securing |
| Compression gland             | M12 (SW13)   |
| Protection                    | IP65, IP66K, IP67 inserted and tightened (EN 60529)              |
| Locking material              | Zinc die casting, matte nickel plated                            |

**General data**

|                   |  |
|-------------------|--|
| Standards         | DIN EN 61076-2-101 (M12)                 |
| Temperature range | -25...+85 °C, depending on cable quality |

**Cables**

|                                    |   |
|------------------------------------|---|
| No./diameter of wires              | 12× 0.14 mm <sup>2</sup>  |
| Wire isolation                     | PP (br, bl, wh, gn, pk, ye, bk, gr, rd, vi, grp, rdbl)                    |
| C-track properties                 | 2 Mio.  |
| Material (jacket)                  | PUR (UL/CSA)  |
| Outer Ø                            | 6.0 mm ±5%  |
| Bend radius (moving)               | 10× outer Ø   |
| Temperature range (fixed)          | -40...+85 °C  |
| Temperature range (mobile)         | -25...+85 °C  |
| Cable identification               | 705   |
| Approval (cable)                   | UL (AWM-Style 20233/10493), CSA; CE conform                               |
| Cable weight [g/m]                 | 45,10   |
| Material (wire)                    | Cu wire, bare   |
| Resistor (core)                    | max. 138 Ω/km (20 °C)   |
| Single wire Ø (core)               | 0.1 mm  |
| Construction (core)                | 18× 0.1 mm (multi-strand wire class 6)                                    |
| Diameter (core)                    | 12× 0.14 mm <sup>2</sup>  |
| AWG                                | similar to AWG 26   |
| Material (wire isolation)          | PP  |
| Material property (wire isolation) | CFC-, halogen-, cadmium-, silicone- and lead-free                         |
| Wire-Ø incl. isolation             | 1.0 mm ±5%  |
| Color/numbering of wires           | br, rd, gr, bk, ye, pk, gn, wh, bl, rdbl, grp, vi                         |
| Shield                             | no  |
| Material (jacket)                  | PUR   |
| Shore hardness (jacket)            | 92 ±5 A   |
| Outer-Ø (jacket)                   | 6.0 mm ±5%  |
| Color (jacket)                     | black   |
| chemical resistance                | good resistance to oil, gasoline and chemicals (VDE 0472 Teil 803 Test B) |
| Nominal voltage                    | 300 V AC  |
| Test voltage                       | 1500 V AC   |
| Temperature range (fixed)          | -40...+85 °C  |
| Temperature range (mobile)         | -25...+85 °C  |
| Bend radius (fixed)                | 7.5× outer Ø  |
| Bend radius (moving)               | 10× outer Ø   |
| No. of bending cycles (C-track)    | max. 2 Mio. (25 °C)   |
| Traversing distance (C-track)      | max. 5 m (horizontal)   |
| Travel speed (C-track)             | max. 3.3 m/s  |
| Acceleration (C-track)             | max. 5 m/s <sup>2</sup>   |
| Torsion stress                     | ±180°/m   |
| Jacket Color                       | black   |

**Commercial data**

|                   |    |
|-------------------|----|
| country of origin | DE |
|-------------------|----|

|                       |               |
|-----------------------|---------------|
| customs tariff number | 85444290      |
| EAN                   | 4048879440417 |
| eClass                | 27279218      |
| Packaging unit        | 1             |