

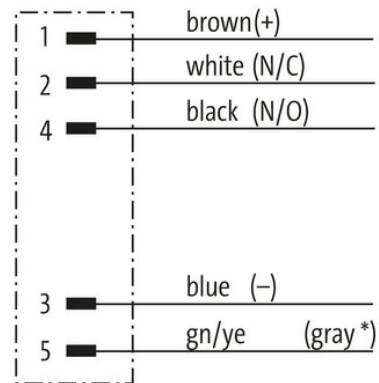
M12 male recept. A-cod. front F&B Pro

PP-wires 5x0.34 0.5m

F&B Pro
 Flange male
 M12, 5-pole
 Front mounting
 Stainless steel 1.4404 (V4A)
 IP69K
 Further cable lengths on request.

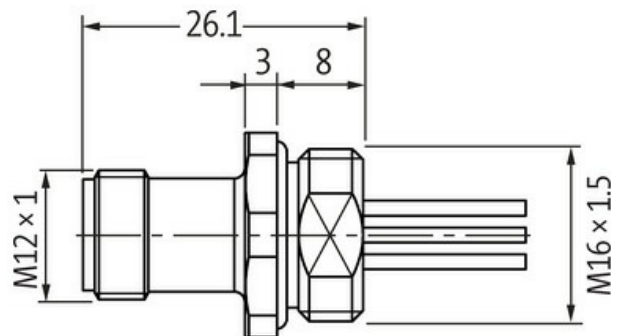
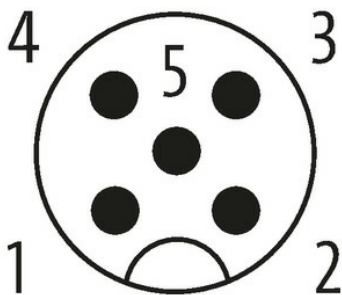
[Link to Product](#)

Illustration



(* for cable type 902 and 972)

Male



Product may differ from Image



Form

Form 13521

Technical Data

Operating voltage max. 125 V AC/DC

Rated surge voltage	1.5 kV
Operating current per contact	max. 4 A
No. of poles	5
Material group	IEC 60664-1, category I
Coding	A-coded
LED display	no
Locking of ports	Screw thread (M12×1 mm) recommended torque 0.6 Nm, self-securing
Compression gland	M12 (SW14)
Protection	IP67, IP69K mounted and tightened
Locking material	Stainless steel 1.4404 (V4A)

General data

Pollution Degree	3
Temperature range	-40...+105 °C, depending on cable quality

Cables

No./diameter of wires	5× 0.34 mm ²
Wire isolation	PUR (br, wh, bl, bk, gnye)
Outer Ø	1.3 mm ±5%
Cable number	975
Material (wire)	Cu wire, tin plated
Resistor (core)	max. 58 Ω/km (20 °C)
Nominal voltage	300 V AC
Test voltage	1500 V AC
Temperature range (fixed)	-40...+90 °C
Temperature range (mobile)	-25...+90 °C
Bend radius (fixed)	5× outer Ø

Commercial data

country of origin	DE
customs tariff number	85444290
EAN	4048879850810
eClass	27279218
Packaging unit	1.000