

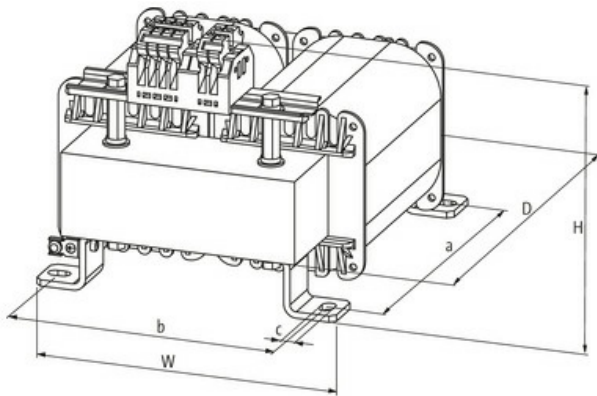
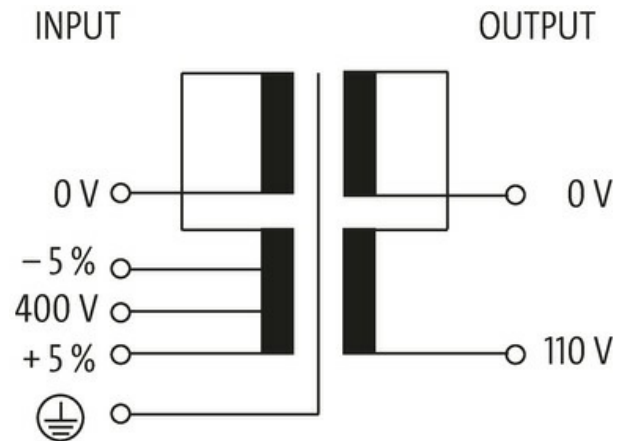
MET SINGLE-PHASE CONTROL AND ISOLATION TRANSFORMER

P:3000VA IN:400VAC±5% OUT:110VAC

Single-phase - Control and Isolation Transformers
3000 VA
Isolation class T 40/B

[Link to Product](#)

Illustration



Product may differ from Image



General data

Standards	EN 61558-1, EN 61558-2-4, EN 62041 category 0
Mounting method	screw fixing
Temperature range	-20...+40 °C (storage temperature -40...+80 °C)
Test isolation voltage	5.1 kV (prim./sec.)
Drill hole Ø	9×14 mm
Fixing centers a×b×c	200×174×9 mm
Dimensions H×W×D	168×195×250 mm

Output

The information in this brochure has been compiled with the utmost care.
Liability for the correctness completeness and topicality of the information is restricted to gross negligence. Version: 03/22

Output voltage	110 V AC
Output rating	3000 VA
Input	
Input voltage	400 V AC \pm 5%
Inrush current	140 A (400 V)
Short-circuit current	374 A (400 V AC)
Input current	7.85 A (400 V AC)
Frequency	50...60 Hz
Commercial data	
country of origin	CZ
customs tariff number	85043200
EAN	4048879073844
eClass	27031202
Packaging unit	1.000