

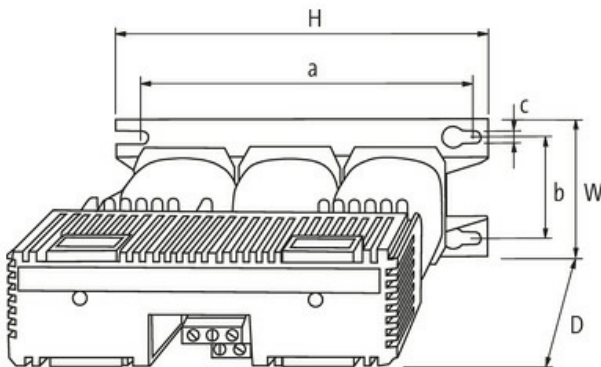
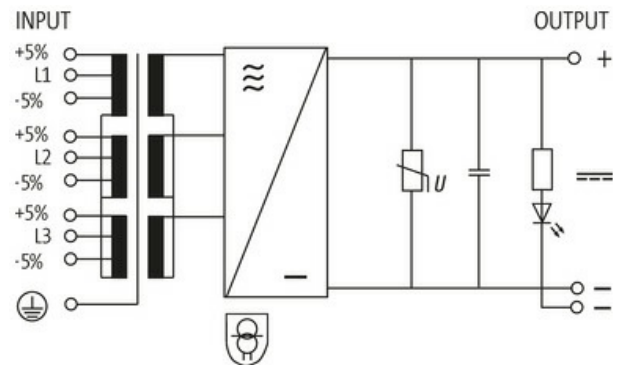
MPL POWER SUPPLY 3-PHASE, SMOOTHED

IN: 400VAC+/- 5% OUT: 24V/7,5ADC

Current: 7.5 A

Output rating: 180 W

This power supply units meet the (EN 61000-3-2) standard for harmonic current.

[Link to Product](#)**Illustration**

Product may differ from Image

**General data**

Standards	EN 61558-2-6, EN 62041 category I, EN 55011 B, EN 61000-3-2
Mounting method	Key-hole mounting
Temperature range	-20...+55 °C, for any mounting position at vertical wall, no condensation
Fixing centers a×b×c	164×58×6.5 mm
Efficiency	72%
Dimensions H×W×D	185×78×188 mm

Output

Output voltage	24 V DC (SELV)
Output fuse external	7.5 A (T)
Output suppression	LED, VDR and smoothing capacitor

Output current	max. 7.5 A
Ripple	max. 2% eff/rms

Input

Input voltage	3× 400 V AC ±5%
Input fuse (external)	0.5 A (T)
Input current	0.42 A (3× 400 V AC)
Frequency	50...60 Hz

Commercial data

country of origin	CZ
customs tariff number	85044090
EAN	4048879079266
eClass	27049002
Packaging unit	1.000