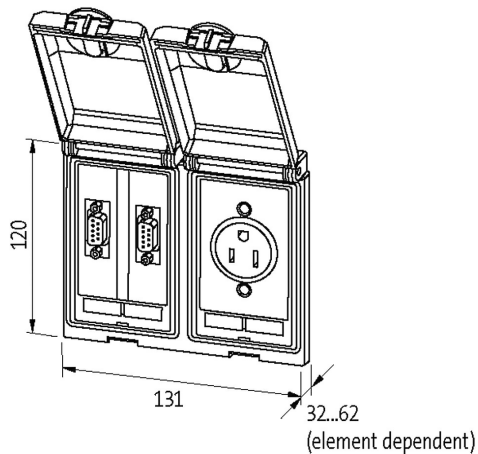
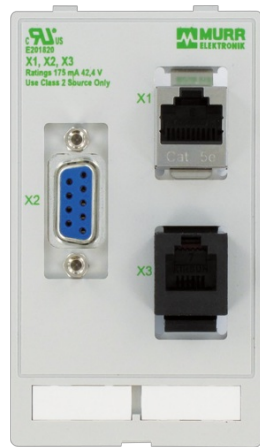


**Modlink MSDD-set: Frame 4000-68122-0000000,**  
 insert 4000-68000-1120000 + 4000-68000-0040000

**Link to Product**

**Illustration**



Product may differ from Image

The information in this brochure has been compiled with the utmost care. Liability for the correctness completeness and topicality of the information is restricted to gross negligence. Version: 03/22

<b>Frame</b>	
suitable for mounting with wall thickness	1...5 mm
Protection	IP65
Temperature range	-10...+60 °C (storage temperature -25...+60 °C)
Housing	Zinc die-casting, KTL coated
<b>RJ45</b>	
Operating current (UL Rating)	max. 175 mA
Locking of ports	Snap In
Connection front side	RJ45
Connection rear side	RJ45
Operating voltage (UL Rating)	max. 30 V AC/42.4 V DC
Specification	CAT5e, Class D, 100 MHz, (EN 50173-1)
<b>SUB-D9</b>	
Connection rear side	SUB-D (female)
Operating current (UL Rating)	max. 175 mA
Connection front side	SUB-D (female)
Locking of ports	UNC 4...40 bolt
Operating voltage (UL Rating)	max. 30 V AC/42.4 V DC
Operating current	3 A
No. of poles	9-pole
Operating voltage	48 V AC/DC
<b>RJ12</b>	
Operating voltage	max. 48 V AC/DC
Connection front side	RJ12
Connection rear side	RJ12
Locking of ports	Snap In
Operating current	max. 1 A
Operating voltage (UL Rating)	max. 30 V AC/42.4 V DC
Operating current (UL Rating)	max. 175 mA
<b>USA</b>	
Operating current	15 A
Operating voltage	125 V AC
No. of poles	2 + PE
Connection	Screw terminals: max. 2× 2.5 mm <sup>2</sup> (AWG 14)
<b>Shielding plate</b>	
Tightening torque	0.9 Nm ±0.1
Connection	Threaded hole M4
<b>Commercial data</b>	
country of origin	CZ
customs tariff number	85366990
EAN	4048879035439
eClass	27189217
Packaging unit	1.000