

MOTOR SUPPRESSOR

RC, 3x575VAC/45kW

RC single

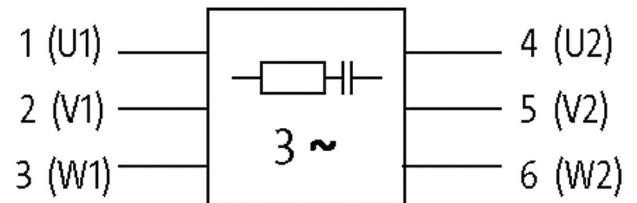
1 suppression module per phase required

For DIN-rail mounting use 2×Art.-No. 20900 adapter feet

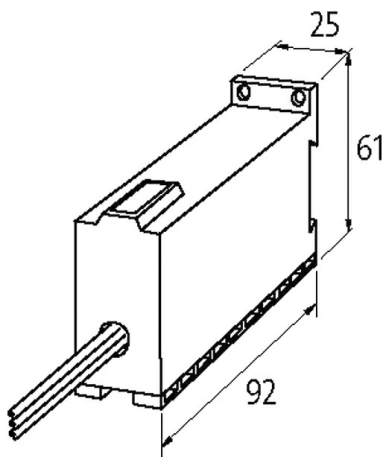
Suppressors for other voltages, frequencies, and motor ratings available on request. Do not use RC motor suppressors with frequency inverters.

Link to Product

Illustration



RC-(1) per phase



Product may differ from Image

Technical Data

| | |
|------------------|---|
| Frequency | 50...60 Hz |
| Input voltage | 575...575 V AC |
| Material | Flame retardant plastic acc. to (UL 94) |
| Potting compound | 2-component epoxy |

General data

| | |
|-------------------|--|
| Mounting method | DIN-rail mountable TH35 (EN 60715) |
| Temperature range | -20...+60 °C |
| Connection | approx. 500 mm, single cores 1 mm ² |
| Dimensions H×W×D | 92×61×25 mm |

Commercial data

| | |
|-----------------------|---------------|
| country of origin | CZ |
| customs tariff number | 85363010 |
| EAN | 4048879019354 |
| eClass | 27371013 |
| Packaging unit | 1.000 |