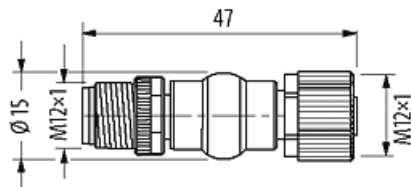
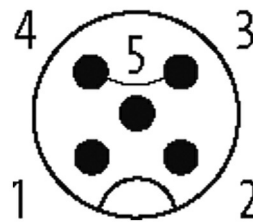


**ADAPTOR M12MALE/M12FEMALE 5P.SHIELDED (BRIDGE 3-4)**

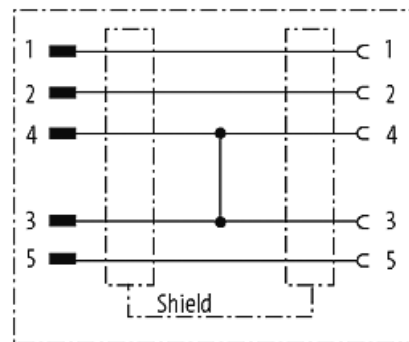
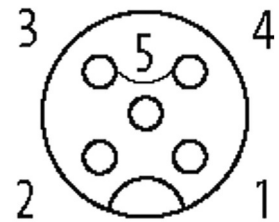
Adapter  
Male - female  
M12 – M12, 5-pole  
shielded  
bridged

[Link to Product](#)**Illustration**

Male



Female



Product may differ from Image

**Form**

Form 41251

**Technical Data**

Operating voltage	max. 60 V AC/DC
Operating voltage (only UL listed)	max. 30 V AC/DC
Rated surge voltage	1.5 kV
Operating current per contact	max. 4 A
No. of poles	5
Material group	IEC 60664-1, category I
Coding	A-coded
Locking of ports	Screw thread (M12×1 mm) recommended torque 0.6 Nm, self-securing
Compression gland	M12 (SW13)
Protection	IP67 inserted and tightened (EN 60529)
Locking material	Zinc die casting, matte nickel plated

Material PUR

**General data**

Pollution Degree	3
Mounting method	inserted, tightened
Temperature range	-25...+85 °C
Test isolation voltage	0.8 kV eff/rms

**Commercial data**

country of origin	DE
customs tariff number	85366990
EAN	4048879144735
eClass	27143423
Packaging unit	1