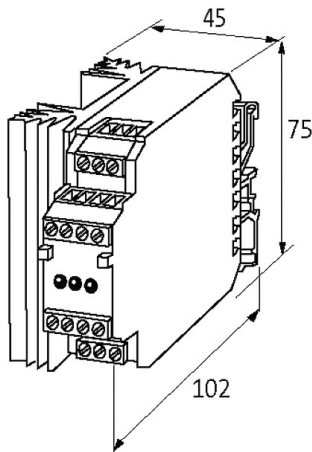
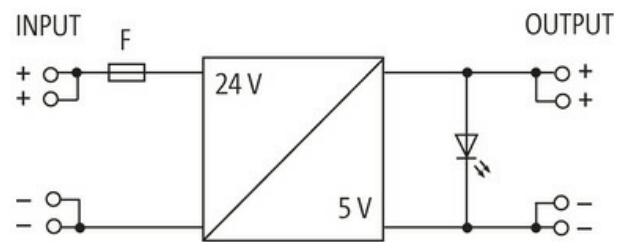


GLS DC/DC-CONVERTER, LINEAR REGULATED

IN: 24VDC OUT: 5V/1,2ADC

INPUT: 24 V DC
 OUTPUT regulated: 5 V DC
 Output rating: 6 W
 Current: 1.2 A

[Link to Product](#)**Illustration**

Product may differ from Image

General data

Mounting method	DIN-rail mountable TH35 (EN 60715)
Temperature range	-20...+60 °C, no condensation

Output

Output voltage	5 V DC (SELV), ±5%
Output fuse	Short-circuit protected
Output current	max. 1.2 A
Ripple	max. 0.2% eff/rms

Input

Input voltage	24 V DC (+10 -15%)
Input current	1.2 A

Input fuse (internal)	2 A (T)
-----------------------	---------

Commercial data

country of origin	CZ
customs tariff number	85044090
EAN	4048879079679
eClass	27210901
Packaging unit	1.000