

MST SINGLE-PHASE CONTROL AND ISOLATION TRANSFORMER

P:63VA IN:230/400VAC±15VAC OUT:230VAC

Single-phase - Control and Isolation Transformers

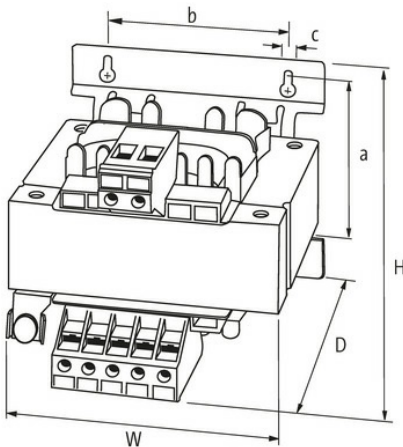
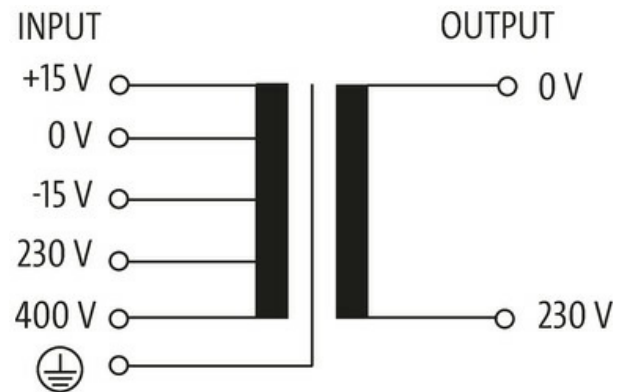
63 VA

Isolation class T 40/B

Other voltages on request.

[Link to Product](#)

Illustration



Product may differ from Image

General data

Standards	EN 61558-2-4, EN 62041 category 0
Mounting method	Key-hole mounting
Temperature range	-20...+40 °C (storage temperature -40...+80 °C)
Test isolation voltage	4.7 kV
Fixing centers a×b×c	47.5×56×4.8 mm
Dimensions H×W×D	69×78×90 mm

Output

Output voltage	230 V AC
Output rating	63 VA

Input

The information in this brochure has been compiled with the utmost care. Liability for the correctness completeness and topicality of the information is restricted to gross negligence. Version: 03/22

Input voltage	230/400 ±15 V AC
Inrush current	2.2 A (230 V AC); 1.3 A (400 V AC)
Short-circuit current	2.9 A (230 V AC); 1.7 A (400 V AC)
Input current	0.32 A (230 V AC); 0.18 A (400 V AC)
Frequency	50...60 Hz

Commercial data

country of origin	CZ
customs tariff number	85043180
EAN	4048879073950
eClass	27031202
Packaging unit	1.000