

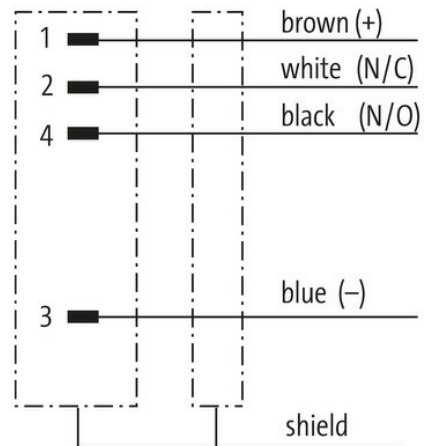
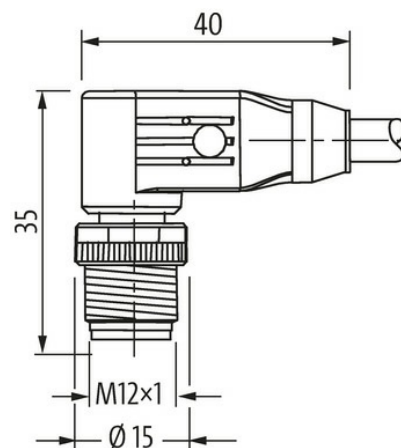
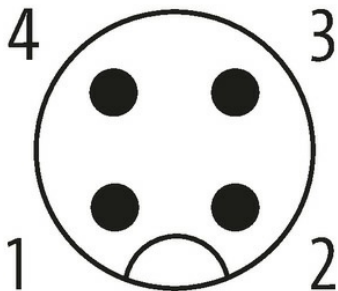
M12 male 90° A-cod. with cable shielded

PUR 4x0.34 shielded gy UL/CSA 5m

Male 90°
M12, 4-pole
shielded
A-coded

Plastic housings with good resistance against chemicals and oils.

The resistance to aggressive media should be individually tested for your application. Further details on request.
Further cable lengths on request.

[Link to Product](#)**Illustration****Male**

Product may differ from Image



* only for products with UL/CSA approved cable

Form

The information in this brochure has been compiled with the utmost care.
Liability for the correctness completeness and topicality of the information is restricted to gross negligence. Version: 03/22

| | |
|------------------------------------|---|
| Form | 13141 |
| Technical Data | |
| Operating voltage | max. 60 V AC/DC |
| Operating voltage (only UL listed) | 30 V AC/DC |
| Rated surge voltage | 1.5 kV |
| Operating current per contact | max. 4 A |
| No. of poles | 4 |
| Material group | IEC 60664-1, category I |
| Coding | A-coded |
| LED display | no |
| Locking of ports | Screw thread (M12×1 mm) recommended torque 0.6 Nm, self-securing |
| Compression gland | M12 (SW13) |
| Protection | IP65, IP66K, IP67 inserted and tightened (EN 60529) |
| Material | PUR |
| Locking material | Zinc die casting, matte nickel plated |
| General data | |
| Standards | DIN EN 61076-2-101 (M12) |
| Mounting method | inserted, tightened |
| Material (contact) | Copper alloy |
| Material (contact surface) | Au |
| Pollution Degree | 3 |
| Stripping length (jacket) | 20 mm |
| Temperature range | -25...+85 °C, depending on cable quality |
| Cables | |
| No./diameter of wires | 4× 0.34 mm ² |
| Wire isolation | PP (br, wh, bl, bk) |
| Outer Ø | 5.9 mm ±5% |
| Cable identification | 335 |
| Cable Type | PUR-OB |
| Approval (cable) | UL (AWM-Style 20233/1992), CSA; CE conform |
| Cable weight [g/m] | 56,1 g |
| Material (wire) | Cu wire, bare |
| Resistor (core) | max. 52 Ω/km (20 °C) |
| Single wire Ø (core) | 0.1 mm |
| Diameter (core) | 4× 0.34 mm ² |
| Material (wire isolation) | PP |
| Material property (wire isolation) | CFC-, halogen-, cadmium-, silicone- and lead-free |
| Shore hardness (wire isolation) | 72 ±3 D |
| Wire-Ø incl. isolation | 1.55 mm ±5% |
| Color/numbering of wires | br, bk, bl, wh |
| Stranding combination | 4 wires twisted |
| Shield | yes |
| optical shield cover | min. 85% |
| Material (jacket) | PUR |
| Shore hardness (jacket) | 85 ±3 A |
| Outer-Ø (jacket) | 5.9 mm ±5% |
| Color (jacket) | gray |
| Jacket Color | gray |
| chemical resistance | good resistance to oil, gasoline and chemicals (VDE 0472 Teil 803 Test B) |
| thermal resistance | flame retardant UL VW1, CSA FT1 |
| Nominal voltage | 300 V AC |
| Test voltage | 2000 V AC |

| | |
|----------------------------|--------------|
| Temperature range (fixed) | -40...+80 °C |
| Temperature range (fixed) | -40...+80 °C |
| Temperature range (mobile) | -20...+80 °C |
| Temperature range (mobile) | -20...+80 °C |
| Bend radius (fixed) | 10× outer Ø |
| Bend radius (moving) | 10× outer Ø |
| Material (jacket) | PUR (UL/CSA) |

Commercial data

| | |
|-----------------------|---------------|
| country of origin | DE |
| customs tariff number | 85444290 |
| EAN | 4048879322225 |
| eClass | 27279218 |
| Packaging unit | 1.000 |