

**SIEMENS CONTACTOR SUPPRESSOR**

RC, 230VAC/DC

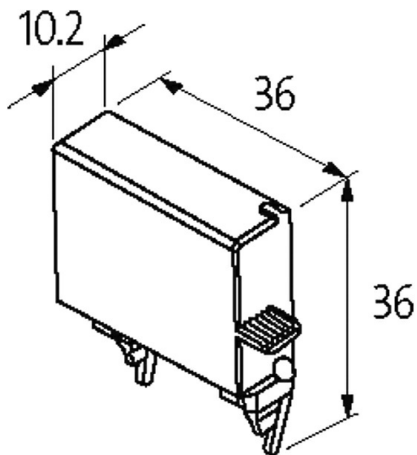
230 V AC/DC

RC

For other configurations and voltages, please inquire.

[Link to Product](#)**Illustration**

RC



Product may differ from Image

**Technical Data**

Input voltage	127...250 V AC/DC
Material	Flame retardant plastic acc. to (UL 94)
Damping factor	approx. 1.5× UN
Connection wires	Plug contact

**General data**

Temperature range	-20...+70 °C
-------------------	--------------

Dimensions H×W×D 36×36×10.2 mm

**Appropriate contactors**

3 RT 1.3/1.4

**Commercial data**

country of origin	CZ
customs tariff number	85363010
EAN	4048879019910
eClass	27371013
Packaging unit	1.000