

MPS POWER SUPPLY 1-PHASE,

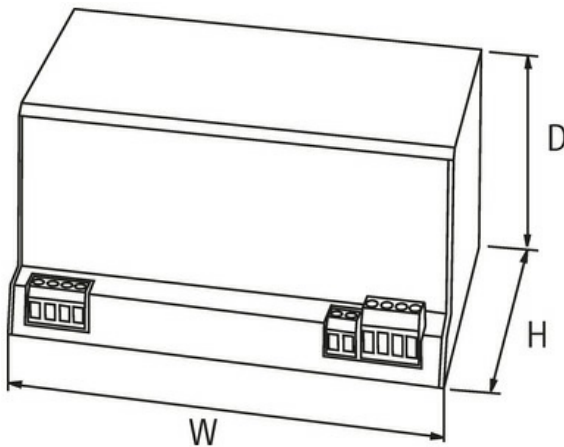
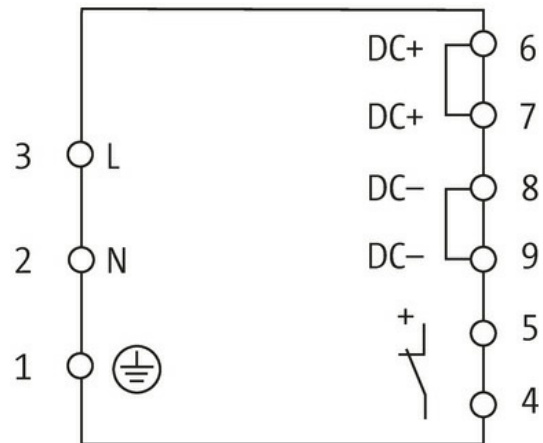
IN: 185-265VAC OUT: 22-28V/10ADC

INPUT: 185...265 V AC

OUTPUT: 22...28 V DC

Current: 10 A

Units decoupling through diode block at parallel usage.

[Link to Product](#)**Illustration**

Product may differ from Image

**General data**

Standards	IEC 61010-2-201, EN 61204-3, EN 55022 B
Mounting method	DIN-rail mountable TH35 (EN 60715), additional plate for screw mounting Art.-No. 89500
Temperature range	0...+60 °C (storage temperature -25...+85 °C)
Relative humidity	5...95%, no condensation
Efficiency	90%
Dimensions HxWxD	132x198x97 mm

The information in this brochure has been compiled with the utmost care.
Liability for the correctness completeness and topicality of the information is restricted to gross negligence. Version: 03/22

Murrelektronik Ltd. | 5 Albion Street, Pendlebury Industrial Estate, Swinton | Manchester M27 4FG | Fon +44 161 728 3133 | Fax +44 161 728 3130 | shop@murrelektronik.co.uk | shop.murrelektronik.co.uk

Output	
Output voltage	24 V DC (SELV), $\pm 1\%$; 22...28 V adjustable
LED display	LED (green): in operation; LED (red): off; LED (yellow): pre-warning when overheated or overloaded
Alarm output	electronic relay max. 60 V DC/0.2 A, group alarm for all failures and pre-warnings, reset via the green button
Output current	10 A (+60 °C); 12 A (+40 °C)
Mains failure bridging time	min. 10 ms (230 V AC)
Ripple	max. 20 mV eff/rms
Spikes	max. 100 mV ss/pp
Unit protection	short-circuit and overload protected
Parallel usage/serial usage	yes/yes

Input	
Input voltage	185...265 V AC
Primary fusing external	max. 10 A
Input current	2.1 A
Frequency	50...60 Hz

Commercial data	
country of origin	CZ
customs tariff number	85044090
EAN	4048879080712
eClass	27049002
Packaging unit	1.000