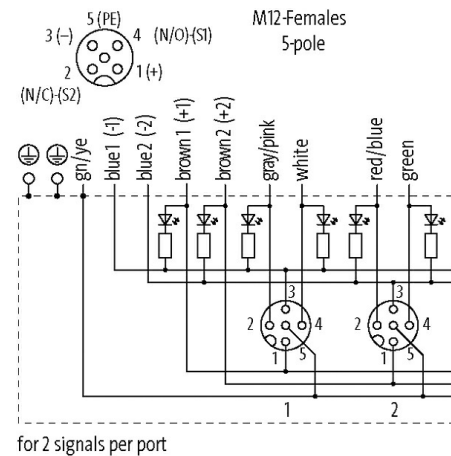
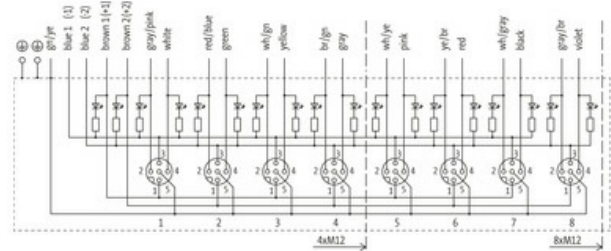
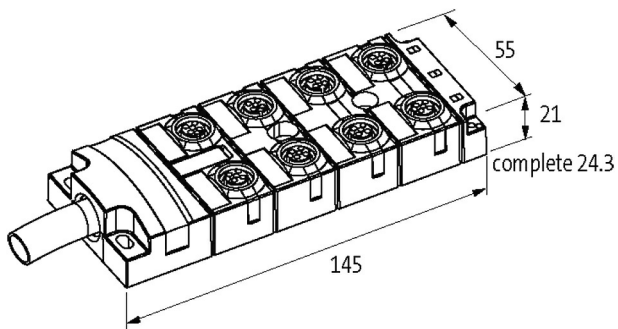


**MVP-METALL, 8XM12, 5POLE, PRE-WIRED CABLE**

3.0m PUR 16x0,34+5X0.75, UL/CSA

3.0 m

Replaces identical product (Art.No. 27521)

[Link to Product](#)**Illustration**

Product may differ from Image

**Technical Data**

Operating voltage	24 V DC
Operating current per contact	max. 4 A
Locking of ports	Screw thread (M12x1 mm)
Protection	IP65, IP67, IP68
Housing	Zinc die casting, matte nickel plated

**General data**

Temperature range	-20...+90 °C, depending on cable quality
-------------------	--

**Cables**

No./diameter of wires	16 x 0.34 + 5 x 0.75 mm <sup>2</sup>
Wire isolation	TPE (grpk, wh, rdbr, gn, whgn, ye, brgn, gr, whye, pk, yebr, rd, whgr, bk, grbr, vi, br, bl, gnye)
C-track properties	5 Mio.
Outer Ø	11.5 mm ±5%
Cable number	403

Approval (cable)	UL (AWM-Style 20233/10042), CSA; CE conform
Material (wire)	Cu wire, bare
Resistor (core)	max. 57 $\Omega$ /km (0.34 mm <sup>2</sup> ), max. 26 $\Omega$ /km (0.75 mm <sup>2</sup> ); (20 °C)
Single wire $\varnothing$ (core)	0.1 mm
Diameter (core)	16× 0.34 + 5× 0.75 mm <sup>2</sup>
AWG	similar to AWG 22 (0.34 mm <sup>2</sup> ); similar to AWG 18 (0.75 mm <sup>2</sup> )
Material (wire isolation)	TPE-E
Shore hardness (wire isolation)	55 $\pm$ 5 D
Shield	yes
Shore hardness (jacket)	85 $\pm$ 5 A
Jacket Color	gray
Nominal voltage	300/500 V AC
Test voltage	2000 V AC
Current load capacity	to DIN VDE 0298-4
Temperature range (fixed)	-40...+90 °C
Temperature range (mobile)	-25...+80 °C
Bend radius (fixed)	5× outer $\varnothing$
Bend radius (moving)	10× outer $\varnothing$
Bend radius (moving)	10× outer $\varnothing$
No. of bending cycles (C-track)	max. 5 Mio. (25 °C)
Travel speed (C-track)	max. 2 m/s
Acceleration (C-track)	max. 5 m/s <sup>2</sup>
Material (jacket)	PUR (UL/CSA)

**Contact Layout**

PIN 1	(+)
PIN 2	(NC)/(S2)
PIN 3	(-)
PIN 4	(NO)/(S1)
PIN 5	(Earth)
	LED (green): Power / LED (yellow): (S1/S2)

**Commercial data**

country of origin	CZ
customs tariff number	85444290
EAN	4048879352574
eClass	27279219
Packaging unit	1.000