

**M12 Power male recept. L-cod. front V2A**

PUR-wires 5x1.5 1m

Flange male

M12, 5-pole

L-coded

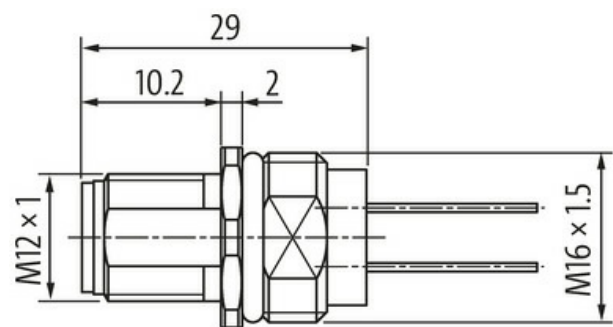
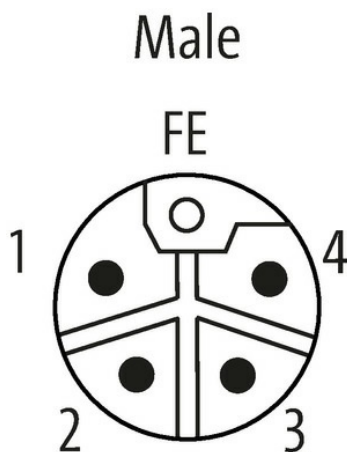
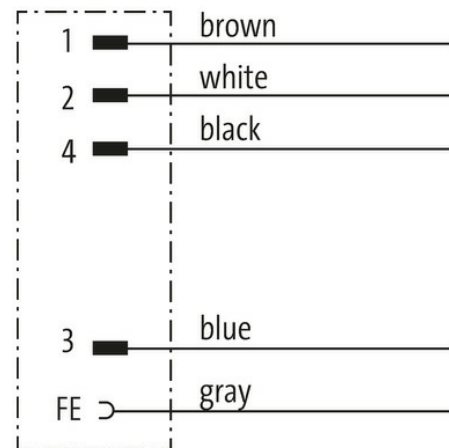
with multi-strand wire

Stainless steel 1.4305 (V2A)

Plastic housings with good resistance against chemicals and oils.

The resistance to aggressive media should be individually tested for your application. Further details on request.

Further cable lengths on request.

[Link to Product](#)**Illustration**

Product may differ from Image

**Form**

Form P4281

**Technical Data**

Operating voltage max. 63 V AC/DC

Rated surge voltage 1.5 kV

Operating current per contact max. 16 A

No. of poles 5

Material group IEC 60664-1, category I

Coding	L-coded
Locking of ports	Screw thread (M12×1 mm) recommended torque 0.6 Nm, self-securing
Compression gland	M12 (SW17)
Protection	IP65 and IP67 when plugged and screwed down (EN 60529)
Protection NEMA	3, 4, 6P (UL 50E)
Locking material	Stainless steel 1.4305 (V2A)

**General data**

Pollution Degree	3
Temperature range	-25...+85 °C

**Cables**

No./diameter of wires	5× 1.5 mm <sup>2</sup>
Wire isolation	PUR (br, wh, bl, bk, gr)
Outer Ø	2.4 mm ±5%
Cable number	980
Shield	no
Temperature range (fixed)	-40...+90 °C
Temperature range (mobile)	-25...+90 °C
Bend radius (fixed)	7.5× outer Ø

**Commercial data**

country of origin	DE
customs tariff number	85444290
EAN	4048879630115
eClass	27279221
Packaging unit	1.000