

SUPPRESSOR FOR CONTACTORS

Varistor + Diode, 240 VDC, 36 W

24...240 V DC

Diode

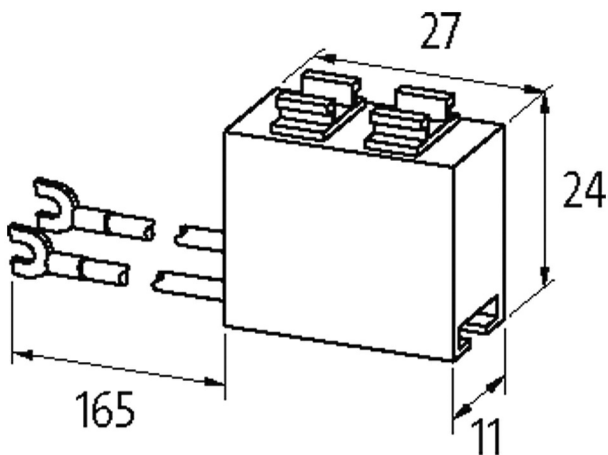
For other configurations and voltages, please inquire.

[Link to Product](#)

Illustration



Diode



Product may differ from Image



Technical Data

Input voltage	12...250 V DC
Material	Flame retardant plastic acc. to (UL 94)
Damping factor	approx. 1.5× UN
Connection wires	self-securing cable forks

General data

Temperature range	-20...+70 °C
-------------------	--------------

Dimensions H×W×D 11×27×24 mm

Appropriate contactors

universal

Commercial data

country of origin	CZ
customs tariff number	85363010
EAN	4048879018029
eClass	27371013
Packaging unit	1.000