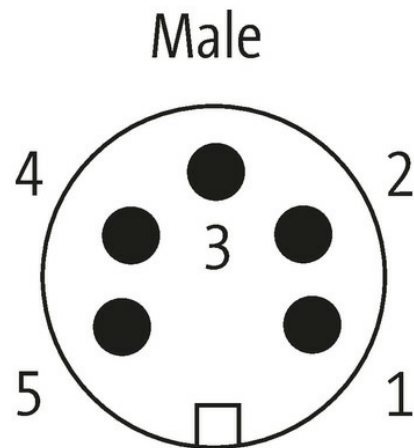
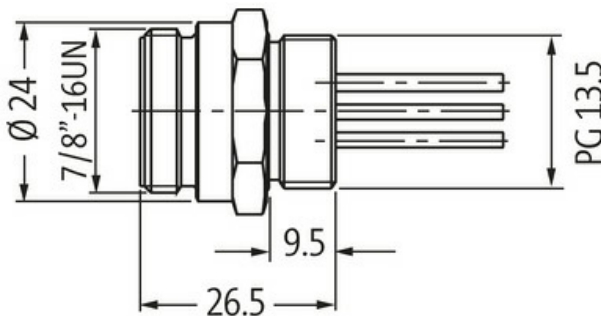
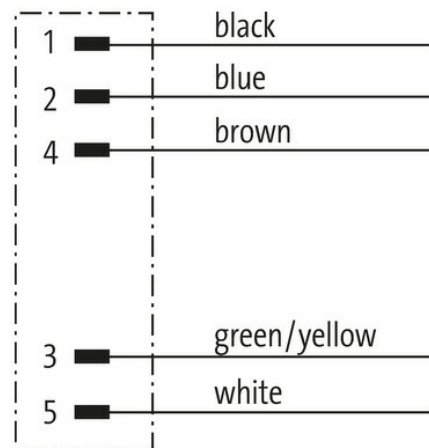


7/8" MALE FLANGE PLUG

Wire 5X0.75 1m

Flange male
7/8" (5-pole)
Front mounting
with multi-strand wire

[Link to Product](#)**Illustration**

Product may differ from Image

Form

Form 78341

Technical Data

Operating voltage	max. 300 V AC/DC
Operating current per contact	max. 6 A
Material group	IEC 60664-1, category III
Locking of ports	Screw thread 7/8" (recommended torque 1.5 Nm) self-securing
Compression gland	7/8" (SW24)
Protection	IP68 inserted and tightened (EN 60529)

General data

Temperature range -25...+85 °C

Cables	
No./diameter of wires	5× 0.75 mm ²
Wire isolation	PVC (br, wh, bl, bk, gnye)
Outer Ø	3.1 mm ±5%
Cable number	978
Temperature range (fixed)	-25...+85 °C
Temperature range (mobile)	-10...+50 °C
Bend radius (fixed)	10× outer Ø
Commercial data	
country of origin	DE
customs tariff number	85444290
EAN	4048879364102
eClass	27279218
Packaging unit	1.000