

T-Coupler M12 male 5pol./2x female 4pol. F&B PRO

T-coupler

F&B Pro

Male straight – females straight

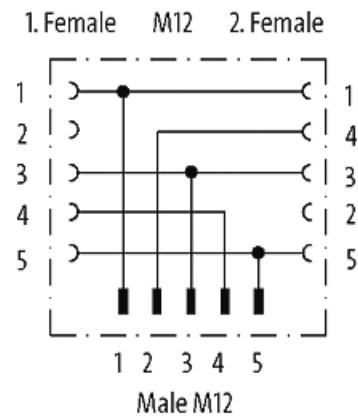
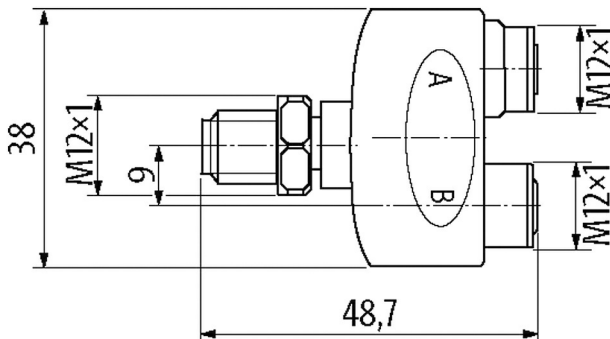
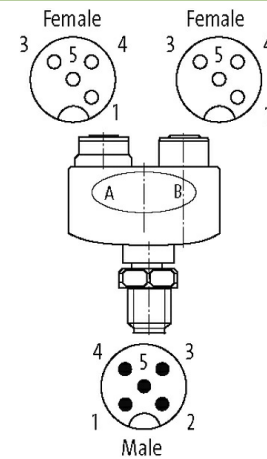
M12, 5-pole – M12, 4-pole

Plastic housings with good resistance against chemicals and oils.

The resistance to aggressive media should be individually tested for your application. Further details on request.

[Link to Product](#)

Illustration



Product may differ from Image

Technical Data

Operating voltage	max. 60 V AC/DC
Operating current per contact	max. 4 A
Locking of ports	Screw thread (M12×1 mm) recommended torque 0.6 Nm, self-securing
Compression gland	M12 (SW14)
Protection	IP65, IP68, IP69K inserted and tightened (EN 60529)
Locking material	Stainless steel 1.4404 (V4A)
Material	PP

General data

Safety class	II
Temperature range	-25...+100 °C
Material (gasket)	EPDM

Commercial data

country of origin	DE
customs tariff number	85366990
EAN	4048879871259
eClass	27279221
Packaging unit	1