

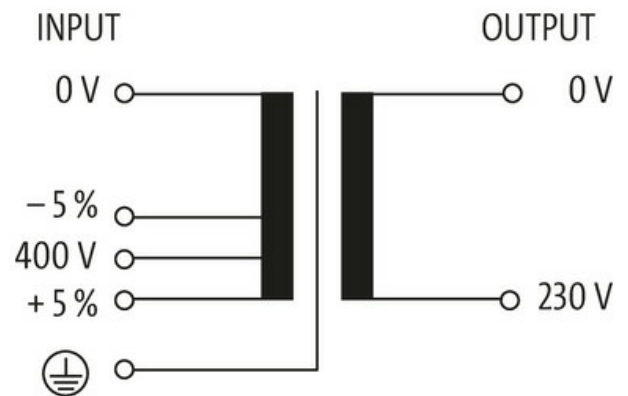
MET 1-PHASE CONTROL AND ISOLATION TRANSFORMER

P: 500VA IN: 400VAC+/- 5% OUT: 230VAC

Single-phase - Control and Isolation Transformers
500 VA
Spring clamp terminals
Isolation class T 60/B

[Link to Product](#)

Illustration



Product may differ from Image



General data

Standards	EN 61558-1, EN 61558-2-4, EN 62041 category 0
Mounting method	Key-hole mounting
Temperature range	-20...+60 °C (storage temperature -40...+80 °C)
Test isolation voltage	4 kV (prim./sec.)
Drill hole Ø	7×11 mm
Fixing centers a×b×c	90×122×7 mm

The information in this brochure has been compiled with the utmost care.
Liability for the correctness completeness and topicality of the information is restricted to gross negligence. Version: 03/22

Murrelektronik Ltd. | 5 Albion Street, Pendlebury Industrial Estate, Swinton | Manchester M27 4FG | Fon +44 161 728 3133 | Fax +44 161 728 3130 | shop@murrelektronik.co.uk | shop.murrelektronik.co.uk

Dimensions H×W×D 112.6×150×146 mm

Output

Output voltage 230 V AC

Output rating 500 VA

Input

Input voltage 400 V AC ±5%

Inrush current 20.22 A (400 V AC)

Short-circuit current 43.35 A (400 V AC)

Input current 1.37 A (400 V AC)

Frequency 50...60 Hz

Commercial data

country of origin CZ

customs tariff number 85043180

EAN 4048879066532

eClass 27031302

Packaging unit 1.000