

**M12 male 90° X-cod. / RJ45 male 0° shielded**

PUR 4x2xAWG26 shielded gn UL/CSA 10m

Male straight – male straight

M12 – RJ45, 8-pole

X-coded

shielded

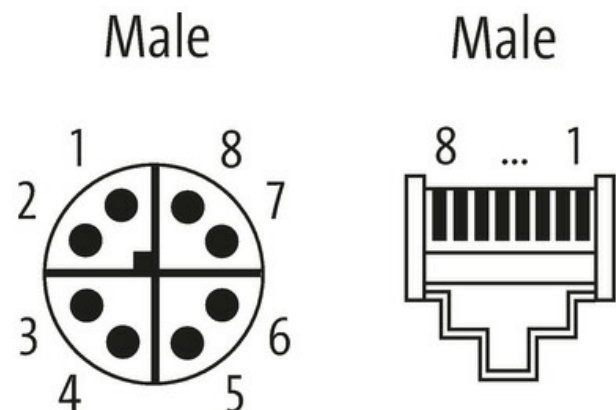
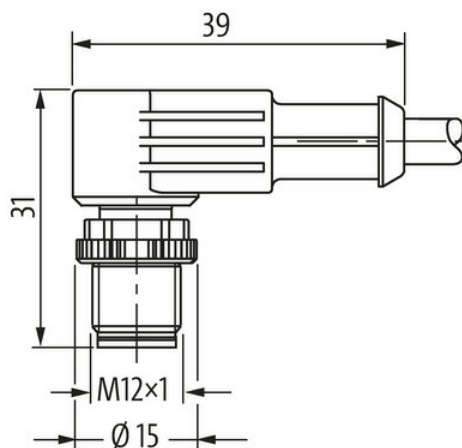
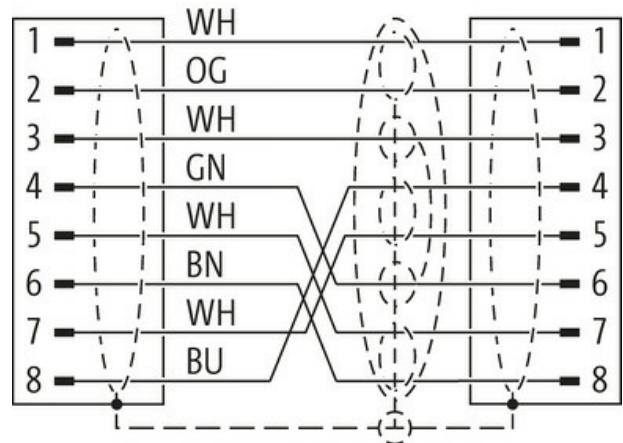
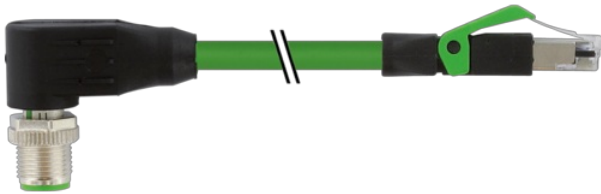
Ethernet CAT6A

Transmission properties with channel transmission up to 50 m

Further cable lengths on request.

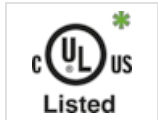
Plastic housings with good resistance against chemicals and oils.

The resistance to aggressive media should be individually tested for your application. Further details on request.

[Link to Product](#)**Illustration**



Product may differ from Image



\* only for products with UL/CSA approved cable

**Form**

Form 51201

**Technical Data**

|                                    |  |
|------------------------------------|--|
| Operating voltage                  | max. 60 V DC   |
| Operating voltage (only UL listed) | max. 30 V DC   |
| Rated surge voltage                | 1.0 kV   |
| Operating current per contact      | max. 0.5 A   |
| Transfer parameters                | CAT6, Class EA (ISO/IEC 11801:2002), (EN 50173-1)                |
| Transfer rate                      | 10 Gbit/s  |
| Material group                     | IEC 60664-1, category I  |
| Coding                             | X-coded  |
| Locking of ports                   | Screw thread (M12×1 mm) recommended torque 0.6 Nm, self-securing |
| Compression gland                  | M12 (SW13)   |
| Protection                         | IP67 (M12) - IP20 (RJ45)   |
| Material                           | PUR  |
| Locking material                   | Zinc die casting, matte nickel plated                            |

**General data**

|                   |  |
|-------------------|--|
| Standards         | DIN EN 61076-2-109 (M12)                 |
| Pollution Degree  | 3  |
| Temperature range | -25...+85 °C, depending on cable quality |

**Cables**

|                           |   |
|---------------------------|---|
| Cable identification      | 790   |
| Approval (cable)          | cURus (AWM-Style 20549/11635); CE conform                                   |
| Cable weight [g/m]        | 52,8 g  |
| Material (wire)           | Cu wire, bare   |
| Resistor (core)           | max. 143 Ω/km (20 °C)   |
| Single wire Ø (core)      | 0.16 mm   |
| Diameter (core)           | 4x 2x AWG26/7   |
| Material (wire isolation) | PE  |
| Wire-Ø incl. isolation    | 1.05 mm ±5%   |
| Color/numbering of wires  | (WH, OR), (WH, BU), (WH, BN), (WH, GN)                                      |
| Shield                    | yes   |
| optical shield cover      | approx. 65%   |
| Material (jacket)         | PUR   |
| Outer-Ø (jacket)          | 6.4 mm ±5%  |
| Color (jacket)            | green   |
| chemical resistance       | Oil resistance according to IEC 60811-2-1, ASTM IRM 901, ICEA S-82-552 Std. |
| Nominal voltage           | 125 V AC  |

|                            |  |
|----------------------------|--|
| Test voltage               | 1500 V (wire/wire); 1000 V (wire/shield) |
| Temperature range (fixed)  | -40...+80 °C                             |
| Temperature range (mobile) | -30...+70 °C                             |
| Bend radius (fixed)        | 8× outer Ø                               |
| Bend radius (moving)       | 10× outer Ø                              |

**Commercial data**

|                       |               |
|-----------------------|---------------|
| country of origin     | DE            |
| customs tariff number | 85444290      |
| EAN                   | 4048879642897 |
| eClass                | 27061801      |
| Packaging unit        | 1.000         |