

M12 male 0° A-cod. / MSUD valve plug A-18mm

PUR 3x0.75 bk UL/CSA+robot+drag ch. 1m

Form A (18 mm) – M12, male straight

24 V AC ±20% / DC ±25%

LED and suppression

Bridged PE

A-coded

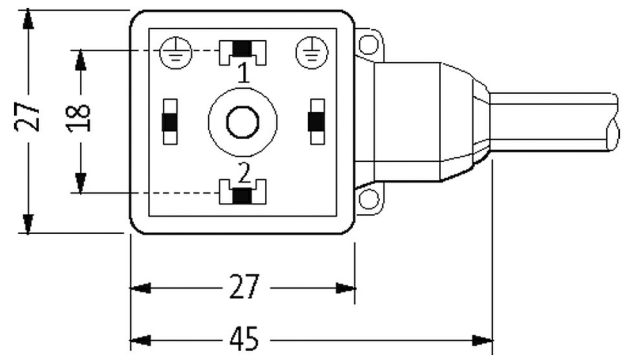
Further cable lengths on request.

Plastic housings with good resistance against chemicals and oils.

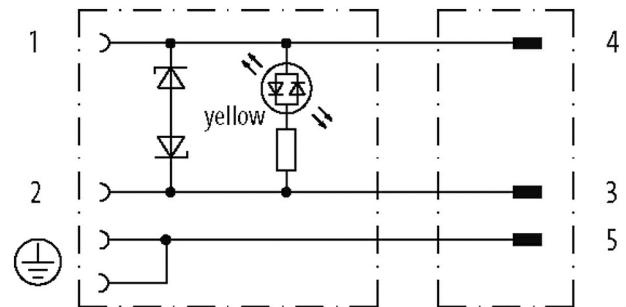
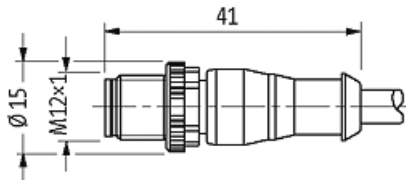
The resistance to aggressive media should be individually tested for your application. Further details on request.

[Link to Product](#)

Illustration

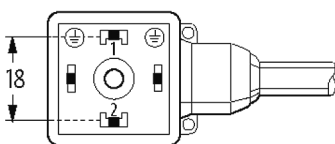


Height: 30 mm



Female

Male



Product may differ from Image

* only for products with UL/CSA approved cable

Form

Form

40881

| Technical Data | |
|--|---|
| Operating voltage | 24 V AC $\pm 20\%$ / DC $\pm 25\%$ |
| Rated surge voltage | 0.8 kV |
| Operating current per contact | max. 4 A |
| Current consumption | max. 15 mA |
| Material group | IEC 60664-1, category I |
| Switch off peak | max. 55 V |
| Switch off delay time | max. 20 ms |
| Coding | A-coded |
| LED display | yellow |
| Locking of ports | M3/M12 \times 1 mm (recommended torque 0.4/0.6 Nm) |
| Compression gland | M12 (SW13) |
| Protection | IP67 inserted and tightened (EN 60529) |
| Locking material | Zinc die casting, matte nickel plated |
| Material | MSUD (PBT); M12 (PUR) |
| suitable for corrugated tube (internal \varnothing) | 10 mm |
| Housing | Black plastic (gray on request) |
| General data | |
| Pollution Degree | 3 |
| Temperature range | -25...+85 °C, depending on cable quality |
| Material (gasket) | PUR |
| Cables | |
| No./diameter of wires | 3 \times 0.75 mm ² |
| Wire isolation | PP (bk num, gnye) |
| C-track properties | 10 Mio. |
| Material (jacket) | PUR (UL/CSA), welding spark |
| Outer \varnothing | 5.2 mm $\pm 5\%$ |
| Bend radius (moving) | 10 \times outer \varnothing |
| Temperature range (fixed) | -40...+80 °C |
| Temperature range (mobile) | -25...+80 °C |
| Cable identification | 656 |
| Cable Type | 5 (PUR schweißfunkenbeständig) |
| Approval (cable) | cURus (AWM-Style 20549/10493); CE conform |
| Cable weight [g/m] | 48,40 |
| Material (wire) | Cu wire, bare |
| Resistor (core) | max. 26 Ω /km (20 °C) |
| Single wire \varnothing (core) | 0.15 mm |
| Construction (core) | 42 \times 0.15 mm (multi-strand wire class 6) |
| Diameter (core) | 3 \times 0.75 mm ² |
| AWG | similar to AWG 18 |
| Material (wire isolation) | PP |
| Material property (wire isolation) | CFC-, halogen-, cadmium-, silicone- and lead-free |
| Shore hardness (wire isolation) | 58 ± 3 D |
| Wire- \varnothing incl. isolation | 1.7 mm $\pm 5\%$ |
| Color/numbering of wires | bk numbered, gnye longitudinally striped |
| Stranding combination | 3 wires twisted |
| Shield | no |
| Material (jacket) | PUR |
| Material property (jacket) | CFC-, halogen-, cadmium-, silicone- and lead-free, matt, low-adhesion, machine easy to process, abrasion-resistant, hydrolysis-, microbial- and welding spark resistant |
| Shore hardness (jacket) | 58 ± 3 D |
| Outer- \varnothing (jacket) | 5.2 mm $\pm 5\%$ |
| Color (jacket) | black |

The information in this brochure has been compiled with the utmost care.

Liability for the correctness completeness and topicality of the information is restricted to gross negligence. Version: 03/22

| | |
|---------------------------------|--|
| chemical resistance | good resistance to oil, gasoline and chemicals (EN 60811-404) |
| thermal resistance | flame retardant UL, FT2, IEC 60332-1, IEC 60332-2-2, welding spark resistant |
| Nominal voltage | 300 V AC |
| Test voltage | 2500 V AC |
| Current load capacity | to DIN VDE 0298-4 |
| Temperature range (fixed) | -40...+80 °C, (+90 °C at max. 10 000 operating hours) |
| Temperature range (mobile) | -25...+80 °C, (+90 °C at max. 10 000 operating hours) |
| Bend radius (fixed) | 5× outer Ø |
| Bend radius (moving) | 10× outer Ø |
| No. of bending cycles (C-track) | max. 10 Mio. (25 °C) |
| Traversing distance (C-track) | max. 5 m (horizontal) |
| Travel speed (C-track) | max. 3.3 m/s |
| Acceleration (C-track) | max. 5 m/s ² |
| Torsion stress | ±360°/m |
| No. of torsion cycles | max. 1 Mio. (25 °C) |
| Torsion speed | 35 cycles/min |
| Jacket Color | black |

Commercial data

| | |
|-----------------------|---------------|
| country of origin | CZ |
| customs tariff number | 85444290 |
| EAN | 4048879151887 |
| eClass | 27279218 |
| Packaging unit | 1 |