

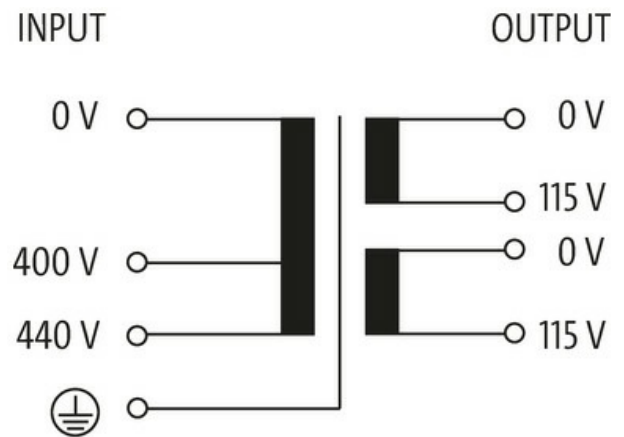
MST SINGLE-PHASE CONTROL AND ISOLATION TRANSFORMER

P:250VA IN:400/440VAC OUT:115/230VAC

Single-phase - Control and Isolation Transformers
250 VA
Isolation class T 40/B
Other voltages on request.

[Link to Product](#)

Illustration



Product may differ from Image

General data

Standards	EN 61558-2-4, EN 62041 category 0
Mounting method	Long-hole mounting
Temperature range	-20...+40 °C (storage temperature -40...+80 °C)
Test isolation voltage	5.9 kV
Drill hole Ø	4.8x8.4 mm
Fixing centers a×b×c	86.5×84×4.8 mm
Dimensions H×W×D	116×96×106 mm

Output

Output voltage	1× 230, 1× 115, 2× 115 V AC
Output rating	250 VA

Input	
Input voltage	400, 440 V AC
Inrush current	6.3 A (400 V AC); 5.7 A (440 V AC)
Short-circuit current	11.7 A (400 V AC); 10.6 A (440 V AC)
Input current	0.71 A (400 V AC); 0.64 A (440 V AC)
Frequency	50...60 Hz

Commercial data	
country of origin	CZ
customs tariff number	85043180
EAN	4048879337007
eClass	27031202
Packaging unit	1.000