

M12 female 0° A-cod. with cable shielded

PUR 4x0.34 shielded gy 60m

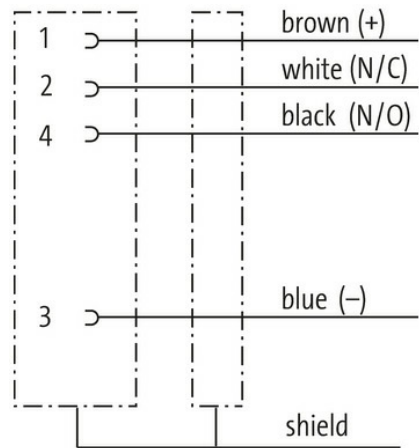
Female straight
M12, 4-pole
shielded
with cable sleeves

Plastic housings with good resistance against chemicals and oils.

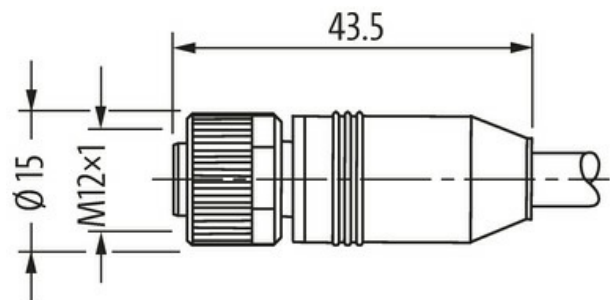
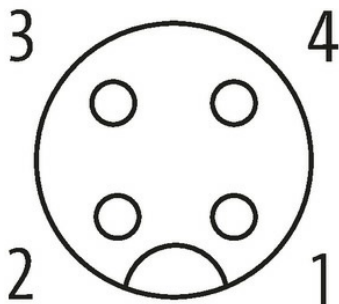
The resistance to aggressive media should be individually tested for your application. Further details on request.
Further cable lengths on request.

[Link to Product](#)

Illustration



Female



Product may differ from Image



* only for products with UL/CSA approved cable

Form

The information in this brochure has been compiled with the utmost care. Liability for the correctness completeness and topicality of the information is restricted to gross negligence. Version: 03/22

| | |
|------------------------------------|--|
| Form | 13201 |
| Technical Data | |
| Operating voltage | max. 60 V AC/DC |
| Operating voltage (only UL listed) | max. 30 V AC/DC |
| Rated surge voltage | 1.5 kV |
| Operating current per contact | max. 4 A |
| Material group | IEC 60664-1, category I |
| Coding | A-coded |
| Locking of ports | Screw thread (M12×1 mm) recommended torque 0.6 Nm, self-securing |
| Compression gland | M12 (SW13) |
| Protection | IP65, IP66K, IP67 inserted and tightened (EN 60529) |
| Material | PUR |
| Locking material | Zinc die casting, matte nickel plated |
| General data | |
| Standards | DIN EN 61076-2-101 (M12) |
| Pollution Degree | 3 |
| Temperature range | -25...+85 °C, depending on cable quality |
| Cables | |
| No./diameter of wires | 4× 0.34 mm ² |
| Wire isolation | PVC (br, wh, bl, bk) |
| Outer Ø | 5.9 mm ±5% |
| Cable number | 331 |
| Approval (cable) | CE conform |
| Shield | yes |
| Color (jacket) | gray |
| Jacket Color | gray |
| Temperature range (fixed) | -30...+80 °C |
| Temperature range (mobile) | -5...+70 °C |
| Bend radius (fixed) | 10× outer Ø |
| Bend radius (moving) | 15× outer Ø |
| Material (jacket) | PUR/PVC |
| Commercial data | |
| country of origin | CZ |
| customs tariff number | 85444290 |
| EAN | 4048879556651 |
| eClass | 27279218 |
| Packaging unit | 1.000 |