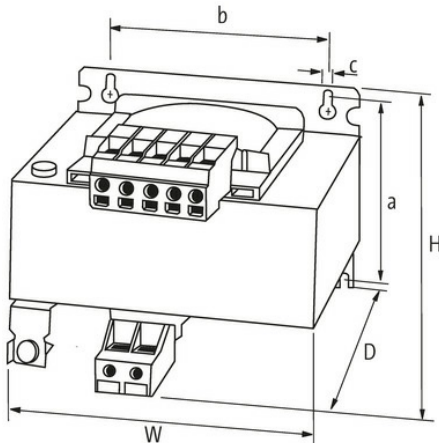
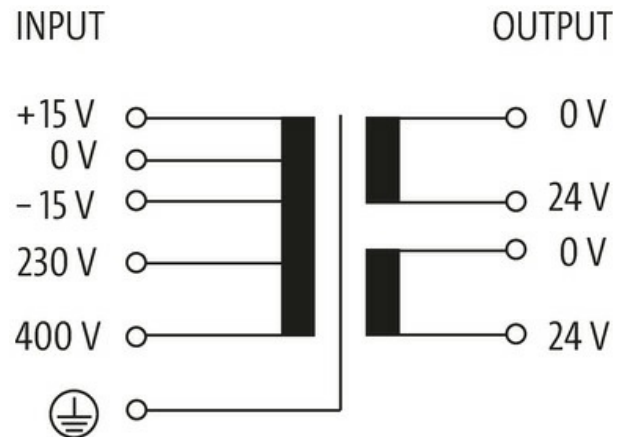


**MST 1-PHASE SAFETY TRANSFORMER**

P: 1600VA IN: 230/400VAC+-15VAC OUT:2x24VAC

Single-phase safety transformer  
1600 VA  
Isolation class T 40/B

[Link to Product](#)**Illustration**

Product may differ from Image

**General data**

Standards	EN 61558-1, EN 61558-2-4, EN 62041 category 0
Mounting method	Key-hole mounting
Temperature range	-20...+40 °C, no condensation
Test isolation voltage	5.8 kV (prim./sec.)
Drill hole Ø	7×11 mm
Fixing centers a×b×c	141.5×135×7 mm

Dimensions H×W×D 168×174×222 mm

**Output**

Output voltage 1 × 24/1 × 48/2 × 24 V AC

Output rating 1600 VA

**Input**

Input voltage 230/400 ±15 V AC

Inrush current 135 A (230 V AC); 69 A (400 V AC)

Short-circuit current 275 A (230 V AC); 163 A (400 V AC)

Input current 7.3 A (230 V AC); 4.2 A (400 V AC)

Frequency 50...60 Hz

**Commercial data**

country of origin CZ

customs tariff number 85043200

EAN 4048879366816

eClass 27031302

Packaging unit 1.000