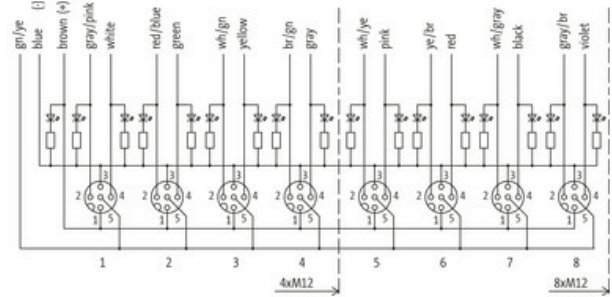
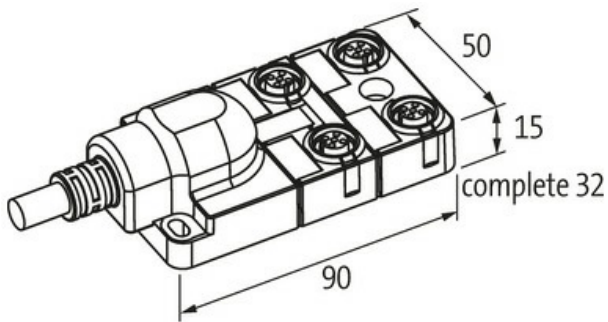


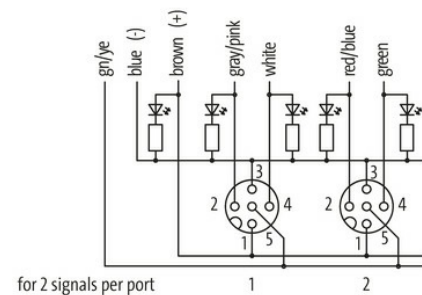
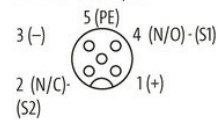
**EXACT12, 4XM12, 5-POLE, MOULDED CABLE**

15.0m PUR 8x0,5+3x1,0, UL/CSA

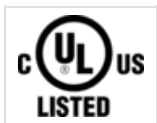
15.0 m

[Link to Product](#)**Illustration**

M12-Females 5-pole



Product may differ from Image

**Technical Data**

|                               |                          |
|-------------------------------|--------------------------|
| Operating voltage             | 24 V DC                  |
| Operating current per contact | max. 4 A                 |
| Locking of ports              | Screw thread (M12x1 mm)  |
| Protection                    | IP65/IP67                |
| Housing                       | Plastic, flame retardant |

**General data**

|                   |  |
|-------------------|--|
| Temperature range | -20...+70 °C, depending on cable quality |
|-------------------|--|

**Cables**

|                       |  |
|-----------------------|--|
| No./diameter of wires | 8x 0.5 + 3x 1.0 mm <sup>2</sup>                            |
| Wire isolation        | TPE (grpk, wh, rdbl, gn, whgn, ye, brgn, gr, br, bl, gnye) |
| C-track properties    | 5 Mio.   |
| Outer Ø               | 9.1 mm ±5%   |

The information in this brochure has been compiled with the utmost care. Liability for the correctness completeness and topicality of the information is restricted to gross negligence. Version: 03/22

|                            |  |
|----------------------------|--|
| Cable number               | 448  |
| Approval (cable)           | UL (AWM-Style 20233), CSA  |
| Material (wire)            | Cu wire, bare  |
| Construction (core)        | 64× 0.1 mm (0.5 mm <sup>2</sup> ), 128× 0.1 mm (1.0 mm <sup>2</sup> ); (multi-strand wire class 6) |
| Jacket Color               | gray   |
| Temperature range (fixed)  | -40...+90 °C   |
| Temperature range (mobile) | -40...+90 °C   |
| Bend radius (fixed)        | 5× outer Ø   |
| Bend radius (moving)       | 10× outer Ø  |
| Material (jacket)          | PUR (UL/CSA)   |

#### Contact Layout

|  |           |
|--|-----------|
| PIN 1  | (+)       |
| PIN 2  | (NC)/(S2) |
| PIN 3  | (-)       |
| PIN 4  | (NO)/(S1) |
| PIN 5  | (Earth)   |
| LED (green): Power / LED (yellow): (S1) / LED (white): Signal (S2) |           |

#### Commercial data

|                       |               |
|-----------------------|---------------|
| country of origin     | DE            |
| customs tariff number | 85444290      |
| EAN                   | 4048879055758 |
| eClass                | 27279219      |
| Packaging unit        | 1.000         |