

**IMPACT67 COMPACT MODULE, PLASTIC**

Profibus DP, 8 dig. In + 8 dig. Out

Digital inputs/outputs

DI8 DO8 - 2 A

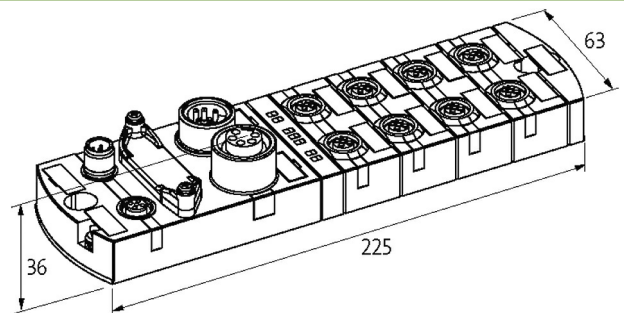
PROFIBUS 12 Mbit/s; M12, B-coded

7/8", 5-pole, 2× max. 9 A

M12, 5-pole, A-coded

Connection cables are in the online shop under "Connection Technology".

Housing fully potted.

[Link to Product](#)**Illustration**

Product may differ from Image

**General data**

Mounting method	2-hole screw mounting, compatible with I/O modules of MVK model range
Temperature range	0...+55 °C (storage temperature -25...+70 °C)
Protection	IP67
Dimensions H×W×D	39×63×225 mm

**PROFIBUS**

Addressing	Rotary switch 3...99
------------	----------------------

**Output**

Switching current per output	max. 2 A (short-circuit and overload protected)
------------------------------	---

**Input**

Sensor supply US	24 V DC (EN 61131-2), max. 200 mA (M12 female), short-circuit and overload protected
Type	for 3-wire sensors or mechanical switches, PNP

**Connections**

Fieldbus	PROFIBUS 12 Mbit/s; M12, B-coded
Sensor-system/actuator supply	7/8", 5-pole, 2× max. 9 A
I/O ports	M12, 5-pole, A-coded

**Diagnostic**

Communication status	via LED
Diagnostic via LED	per module and channel
Diagnostic via BUS	per module and channel
Monitoring - under voltage	yes
Monitoring - no voltage	yes

**Commercial data**

country of origin	CZ
customs tariff number	85389099
EAN	4048879051231
eClass	27242604
Packaging unit	1.000