

## SUPPRESSOR FOR SIEMENS CONTACTOR S00 MOTOR

RC, star, 3x575 VAC, 7.5 kW

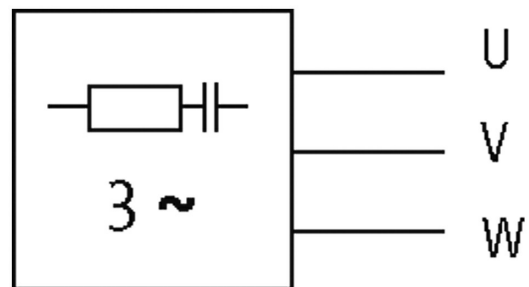
3 × 575 V AC

RC

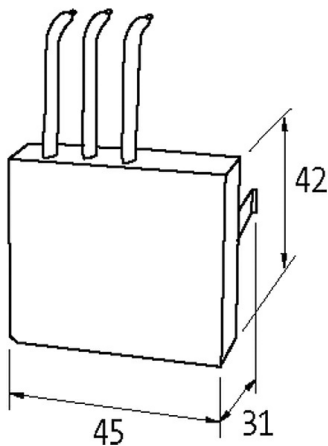
Suppressors for other voltages, frequencies, and motor ratings available on request. Do not use RC motor suppressors with frequency inverters.

### [Link to Product](#)

#### Illustration



RC



Product may differ from Image



#### Technical Data

Frequency	50...60 Hz
Input voltage	575...575 V AC
Material	Flame retardant plastic acc. to (UL 94)
Potting compound	2-component epoxy

#### General data

Mounting method	snap on Siemens Schütz Sirius 3 RT 201 with spring connection
-----------------	---

Temperature range	-20...+60 °C
Connection	Connection wires
Dimensions H×W×D	42×45×31 mm

**Commercial data**

country of origin	CZ
customs tariff number	85363010
EAN	4048879412742
eClass	27371013
Packaging unit	1.000