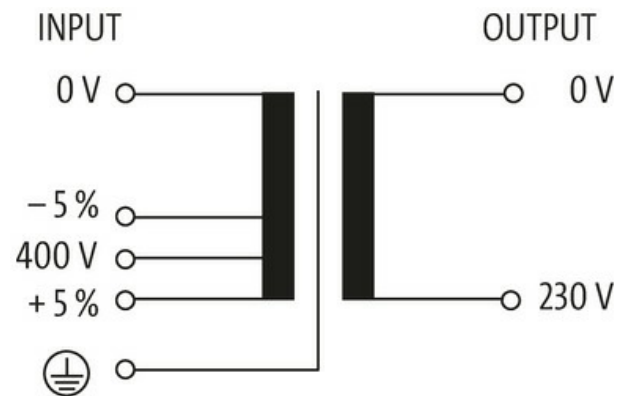


MET 1-PHASE CONTROL AND ISOLATION TRANSFORMER

P: 1000VA IN: 400VAC+/- 5% OUT: 230VAC

Single-phase - Control and Isolation Transformers
 1000 VA
 Spring clamp terminals
 Isolation class T 60/B

[Link to Product](#)**Illustration**

Product may differ from Image

**General data**

| | |
|------------------------|---|
| Standards | EN 61558-1, EN 61558-2-4, EN 62041 category 0 |
| Mounting method | Key-hole mounting |
| Temperature range | -20...+60 °C (storage temperature -40...+80 °C) |
| Test isolation voltage | 4 kV (prim./sec.) |
| Drill hole Ø | 7×11 mm |
| Fixing centers a×b×c | 111.5×135×7 mm |

Dimensions H×W×D 138×174×160 mm

Output

Output voltage 230 V AC

Output rating 1000 VA

Input

Input voltage 400 V AC ±5%

Inrush current 37.36 A (400 V AC)

Short-circuit current 122.5 A (400 V AC)

Input current 2.68 A (400 V AC)

Frequency 50...60 Hz

Commercial data

country of origin CZ

customs tariff number 85043180

EAN 4048879066389

eClass 27031302

Packaging unit 1.000