

EXACT12, 8XM12, 4 POLE CAP, PLUG. SCREW-TERM.

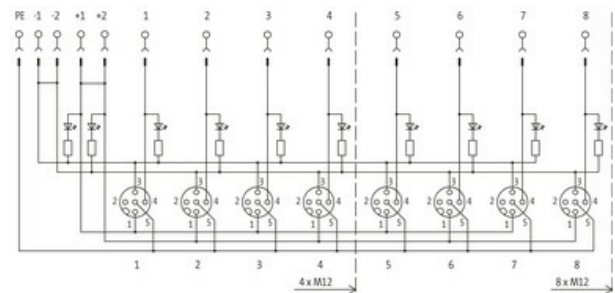
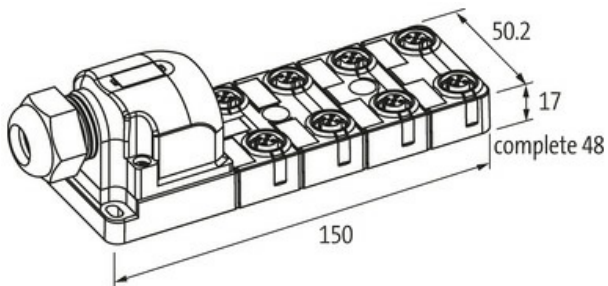
8-way, 4-pole

Form PNP

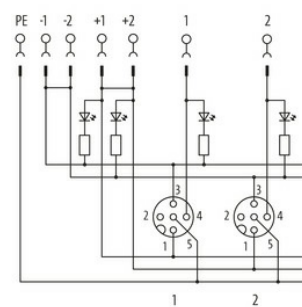
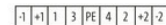
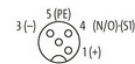
Screw plug-in terminals

Plastic housings with good resistance against chemicals and oils.

The resistance to aggressive media should be individually tested for your application. Further details on request.

[Link to Product](#)**Illustration**

M12-Females 4-pole



for 1 signal per port

Product may differ from Image

**Technical Data**

Operating voltage	24 V DC
Operating current per contact	max. 4 A
Connection	Screw plug-in terminals: max. 1.5 mm ² (AWG 16)
Protection	IP65/IP67
Housing	Plastic, flame retardant
Total current	max. 8 A

General data

Temperature range	-20...+70 °C
-------------------	--------------

Contact Layout

PIN 1	(+)
-------	-----

PIN 3	(-)
PIN 4	(NO)/(S1)
PIN 5	(Earth)
	LED (green): Power / LED (yellow): (S1)

Commercial data

country of origin	DE
customs tariff number	85369010
EAN	4048879054164
eClass	27143423
Packaging unit	1.000