

## Impact67 PN DIO14 IOL2 IRT 7/8" 5pin

Digital inputs/outputs

DIO14 IOL2 (IRT)

Ethernet 10/100 Mbit/s; M12, D-coded

7/8", 5-pole, 2× max. 9 A

M12, 5-pole, A-coded

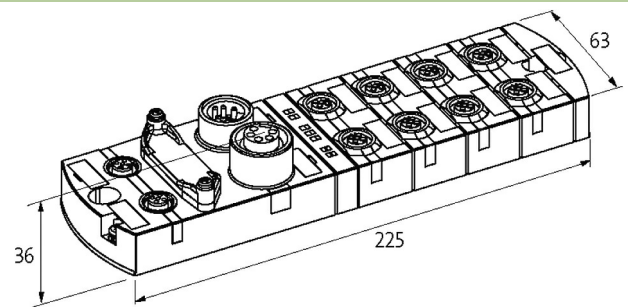
IO-Link Master V1.1.2

Connection cables are in the online shop under "Connection Technology".

Housing fully potted.

### Link to Product

#### Illustration



Product may differ from Image



#### General data

Mounting method	2-hole screw mounting, compatible with I/O modules of MVK model range
Temperature range	-25...+55 °C (storage temperature -25...+70 °C)
Protection	IP67
Dimensions H×W×D	39×63×225 mm

#### Output

Lamp load	10 W
Actuator supply UA	24 V DC (EN 61131-2), max. 9 A
Switching current per output	max. 1.6 A (short-circuit and overload protected)

#### Input

Sensor supply US	24 V DC (EN 61131-2), max. 200 mA (M12 female)/max. 1 A (IO-Link female), short-circuit and overload protected
Type	for 3-wire sensors or mechanical switches, PNP, IO-Link Devices

#### IO-Link

Port Class	Class B (not galvanically separated)
IO-Link	2× Master
Transfer parameters	32 Byte (In) 32 Byte (Out) per IO-Link port
Operating modes	COM1; COM2; COM3 (automatic)

#### Parameterization

PIN 4	Input/Output (port X0...X7); IO-Link Master (port X5, X7)
PIN 2	Input/Output (port X0...X7); U-Actuator IO-Link Class B (port X5, X7)

#### Connections

Fieldbus	Ethernet 10/100 Mbit/s; M12, D-coded
----------	--------------------------------------

Sensor-system/actuator supply	7/8", 5-pole, 2× max. 9 A
I/O ports	M12, 5-pole, A-coded

**PROFINET**

Specification	V2.3, Conformance Class C (IRT)
Addressing	DCP
FSU (Fast-Start-Up)	max. 500 ms
PROFINET Netload Class	III
Shared Device	yes, for 2 controls

**Diagnostic**

Communication status	via LED
Diagnostic via LED	per module and channel
Diagnostic via BUS	per module and channel
Actuator warning	per channel via LED and BUS
Monitoring - under voltage	yes
Monitoring - no voltage	yes
Cable break	per port

**Commercial data**

country of origin	DE
customs tariff number	85389099
EAN	4048879585460
eClass	27242604
Packaging unit	1.000