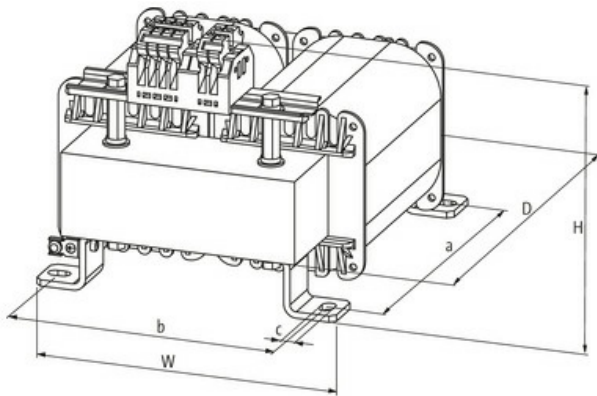
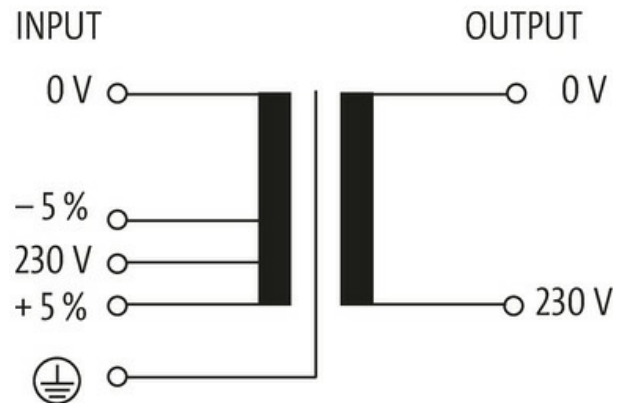


MET 1-PHASE CONTROL AND ISOLATION TRANSFORMER

P: 3000VA IN: 230VAC+/- 5% OUT: 230VAC

Single-phase - Control and Isolation Transformers
3000 VA
Isolation class T 40/B

[Link to Product](#)**Illustration**

Product may differ from Image

**General data**

Standards	EN 61558-1, EN 61558-2-4, EN 62041 category 0
Mounting method	Long-hole mounting
Temperature range	-20...+40 °C (storage temperature -40...+80 °C)
Test isolation voltage	4 kV (prim./sec.)
Drill hole Ø	9×14 mm
Fixing centers a×b×c	200×174×9 mm
Dimensions H×W×D	195×198×250 mm

Output

The information in this brochure has been compiled with the utmost care.
Liability for the correctness completeness and topicality of the information is restricted to gross negligence. Version: 03/22

Output voltage	230 V AC
Output rating	3000 VA
Input	
Input voltage	230 V AC $\pm 5\%$
Inrush current	209.9 A (230 V AC)
Short-circuit current	623.9 A (230 V AC)
Input current	13.6 A (230 V AC)
Frequency	50...60 Hz
Commercial data	
country of origin	CZ
customs tariff number	85043200
EAN	4048879078818
eClass	27031302
Packaging unit	1.000