

M12 male on back A-cod. / MSUD double valve A-18mm

PVC 3x0.75 ye 0m

Form A (18 mm) – M12, connector at the rear

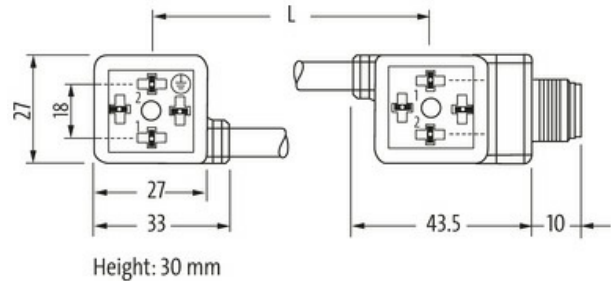
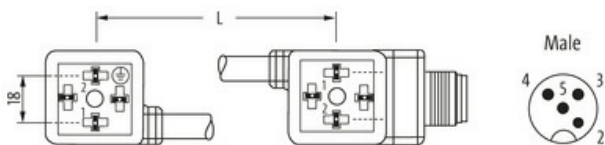
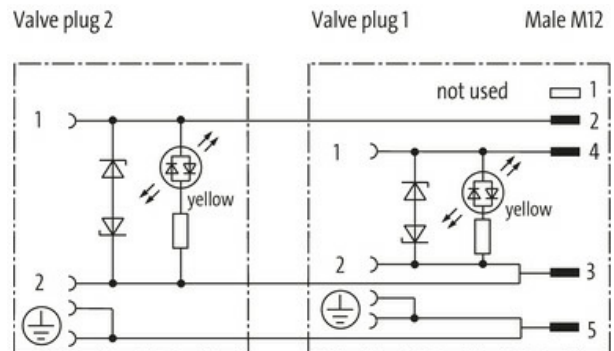
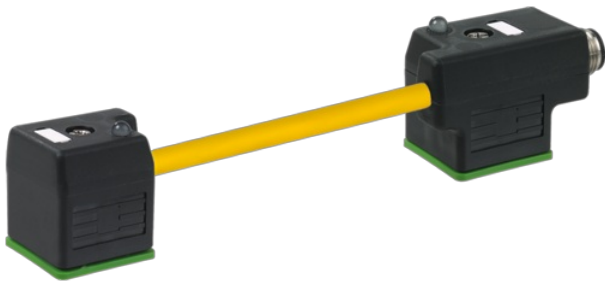
24 V AC $\pm 20\%$ / DC $\pm 25\%$

LED and suppression

Connection cable L = 100 mm

Plastic housings with good resistance against chemicals and oils.

The resistance to aggressive media should be individually tested for your application. Further details on request.

[Link to Product](#)**Illustration**

Product may differ from Image



* only for products with UL/CSA approved cable

Form

Form 41561

Technical Data

| | |
|-------------------------------|--|
| Operating voltage | 24 V AC $\pm 20\%$ / DC $\pm 25\%$ |
| Operating current per contact | max. 4 A |
| Switch off peak | max. 55 V |
| Locking of ports | M3 (recommended torque 0.4 Nm) |
| Protection | IP67 inserted and tightened (EN 60529) |
| Housing | Black plastic (gray on request) |
| Switch off delay time | max. 20 ms |

General data

Temperature range -25...+85 °C, depending on cable quality

| Cables | |
|------------------------------------|--|
| No./diameter of wires | 3× 0.75 mm ² |
| Wire isolation | PVC (bk num, gnye) |
| Outer Ø | 5.9 mm ±5% |
| Cable identification | 016 |
| Cable Type | 1 (PVC) |
| Approval (cable) | CE conform |
| Cable weight [g/m] | 63,8 g |
| Material (wire) | Cu wire, bare |
| Resistor (core) | max. 26 Ω/km (20 °C) |
| Single wire Ø (core) | 0.2 mm |
| Construction (core) | 24× 0.2 mm (multi-strand wire class 5) |
| Diameter (core) | 3× 0.75 mm ² |
| AWG | similar to AWG 18 |
| Material (wire isolation) | PVC |
| Material property (wire isolation) | CFC-, cadmium-, silicone- and lead-free |
| Shore hardness (wire isolation) | 43 ±5 D |
| Wire-Ø incl. isolation | 1.8 mm ±5% |
| Color/numbering of wires | bk numbered, gnye longitudinally striped |
| Stranding combination | 3 wires twisted |
| Shield | no |
| Material (jacket) | PVC |
| Material property (jacket) | CFC-, cadmium-, silicone- and lead-free |
| Shore hardness (jacket) | 80 ±5 A |
| Outer-Ø (jacket) | 5.9 mm ±5% |
| Color (jacket) | yellow |
| Cable labeling | see frame delivery specifications 7000-00000-001 |
| Jacket Color | yellow |
| chemical resistance | good resistance to oil, gasoline and chemicals |
| Nominal voltage | 300/500 V AC |
| Test voltage | 3000 V AC |
| Current load capacity | to DIN VDE 0298-4 |
| Temperature range (fixed) | -30...+70 °C |
| Temperature range (fixed) | -30...+70 °C |
| Temperature range (mobile) | -5...+70 °C |
| Temperature range (mobile) | -5...+70 °C |
| Bend radius (fixed) | 5× outer Ø |
| Bend radius (moving) | 10× outer Ø |
| Bend radius (moving) | 10× outer Ø |
| Material (jacket) | PVC |
| Commercial data | |
| country of origin | CZ |
| customs tariff number | 85444290 |
| EAN | 4048879144308 |
| eClass | 27143423 |
| Packaging unit | 1.000 |