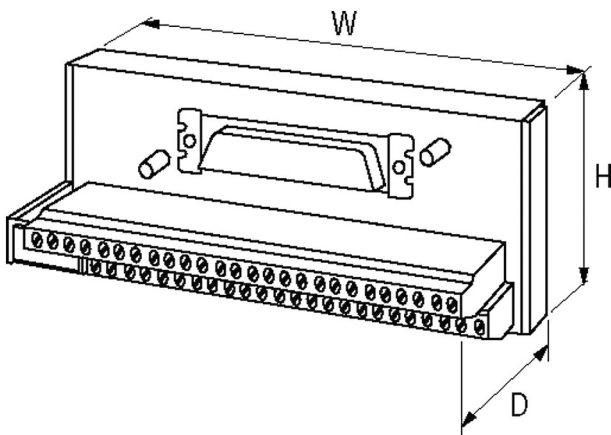
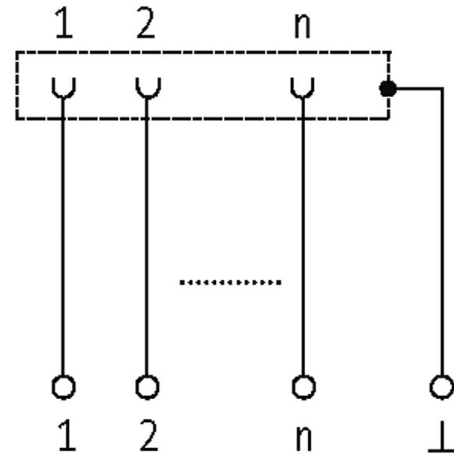


SV-SUB D 15ST.-KL FOR SIGNAL TRANSFER

125 VAC/DC / 2 A

Male connector
15-pole
Screw terminals

[Link to Product](#)**Illustration**

Product may differ from Image

Technical Data

| | |
|---------------------------|--|
| Operating voltage | 125 V AC/150 V DC |
| Material group | EN 60664-1 over voltage, category II |
| Locking of ports | Standard UNC 4-40 screw thread bolt (EN 60807) |
| Operating current per bit | max. 2 A |

General data

| | |
|-------------------|-------------------------------|
| Mounting method | DIN-rail mountable (EN 60715) |
| Temperature range | -20...+70 °C |
| Dimensions H×W×D | 63×75×48 mm |

Commercial data

| | |
|-----------------------|----------|
| country of origin | CZ |
| customs tariff number | 85366990 |

| | |
|----------------|---------------|
| EAN | 4048879026536 |
| eClass | 27143424 |
| Packaging unit | 1.000 |