

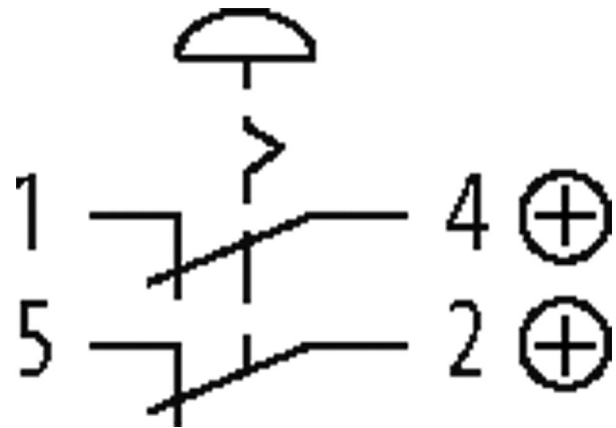
## Emergency stop with 2 positive opening

contacts in a 42mm enclosure

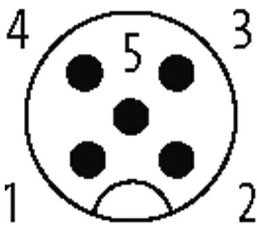
E-Stop 42 2NC M12(5)  
with M12 connection  
5-pole  
Emergency-Stop button  
2 NC (positively-opening)

### Link to Product

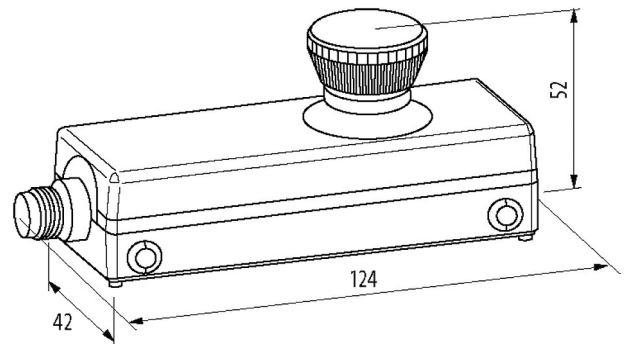
#### Illustration



Male



PIN 1: N/C 1  
PIN 2: N/C 2  
PIN 3: n.c.  
PIN 4: N/C 1  
PIN 5: N/C 2



Product may differ from Image



#### Technical Data

Operating voltage	24 V AC/DC
Operating current	2 A
Contact bounce time	max. 10 ms

#### General data

Mounting method	with clip on back
Material (contact)	Ag Ni
Temperature range	-25...+70 °C (storage temperature -25...+85 °C)
Lambda (d)	20% (N/C)

The information in this brochure has been compiled with the utmost care.  
Liability for the correctness completeness and topicality of the information is restricted to gross negligence. Version: 03/22

Murrelektronik Ltd. | 5 Albion Street, Pendlebury Industrial Estate, Swinton | Manchester M27 4FG | Fon +44 161 728 3133 | Fax +44 161 728 3130 | shop@murrelektronik.co.uk | shop.murrelektronik.co.uk

B10d	250 000
Mech./ elect. life	50 000 actuations, load-temperature dependent
Protection	IP65
Connection	M12 (5-pole)
Dimensions H×W×D	52×124×42 mm

**Contact Layout**

PIN 1	N/C 1
PIN 2	N/O 2
PIN 3	n.c.
PIN 4	N/C 1
PIN 5	N/O 2

**Commercial data**

country of origin	DE
customs tariff number	85365080
EAN	4048879594202
eClass	27371244
Packaging unit	1.000