

M23 female 90° with cable

PUR 16x0.5+3x1.0 gy UL/CSA+drag ch. 30m

Female 90°

M23, 19-pole

19-pole used

for 8-way distribution boxes, 5-pole

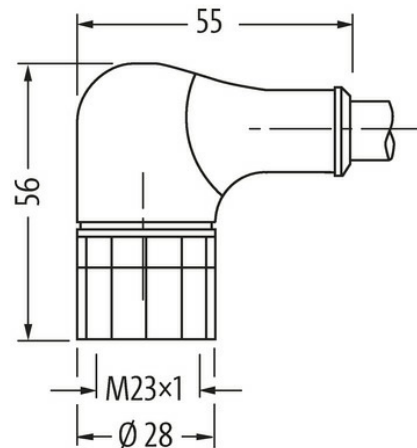
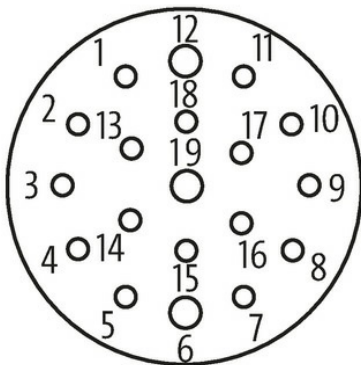
Further cable lengths on request.

Plastic housings with good resistance against chemicals and oils.

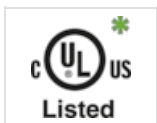
The resistance to aggressive media should be individually tested for your application. Further details on request.

[Link to Product](#)**Illustration**

| | |
|----|---------------------------------|
| 15 | white |
| 7 | gray/pink |
| 5 | green |
| 4 | red/blue |
| 16 | yellow |
| 8 | white/green |
| 3 | gray |
| 14 | brown/green |
| 17 | pink |
| 9 | white/yellow |
| 2 | red |
| 13 | yellow/brown |
| 11 | black |
| 10 | white/gray |
| 1 | violet |
| 18 | gray/brown |
| 19 | brown 1.0mm ² |
| 6 | blue 1.0mm ² |
| 12 | green/yellow 1.0mm ² |

Female

Product may differ from Image



* only for products with UL/CSA approved cable

Form

Form 23351

Technical Data

Operating voltage max. 125 V AC/DC

| | |
|---|--|
| Rated surge voltage | 2.0 kV |
| Operating current per contact | 7.5 A (1.0 mm ²); 3.5 A (0.5 mm ²) |
| No. of poles | 19 |
| Material group | IEC 60664-1, category I |
| Locking of ports | Screw thread (M23×1 mm) recommended torque 2.0 Nm, self-securing |
| Compression gland | M23 (SW27) |
| Protection | IP67 inserted and tightened (EN 60529) |
| Material | PUR |
| Locking material | Brass, nickel plated |
| suitable for corrugated tube (internal Ø) | 16 mm |

General data

| | |
|-------------------|--|
| Pollution Degree | 3 |
| Temperature range | -25...+85 °C, depending on cable quality |

Cables

| | |
|---------------------------------|--|
| Cable identification | 452 |
| Approval (cable) | cRUus (AWM style 20549/10042); CE compliant |
| Cable weight [g/m] | 231 g |
| Material (wire) | Cu wire, bare |
| Resistor (core) | max. 39 Ω/km (0.5 mm ²); max. 20 Ω/km (1.0 mm ²); (20 °C) |
| Single wire Ø (core) | 0.1 mm |
| Construction (core) | 64× 0.1 mm (0.5 mm ²), 128× 0.1 mm (1.0 mm ²); (multi-strand wire class 6) |
| Diameter (core) | 16× 0.5 + 3× 1.0 mm ² |
| AWG | similar to AWG 20 (0.5 mm ²); similar to AWG 17 (1.0 mm ²) |
| Material (wire isolation) | TPE-E |
| Shore hardness (wire isolation) | 55 ±3 D |
| Wire-Ø incl. isolation | 1.6 mm ±5% (0.5 mm ²); 2.1 mm ±5% (1.0 mm ²) |
| Material (jacket) | PUR |
| Material property (jacket) | CFC-, halogen-, cadmium-, silicone- and lead-free, matt, low-adhesion, machine easy to process, abrasion-resistant, hydrolysis and microbial resistant |
| Shore hardness (jacket) | 94 ±5 A |
| Outer-Ø (jacket) | 11.5 mm ±5% |
| Color (jacket) | gray |
| chemical resistance | good resistance to oil, gasoline and chemicals |
| thermal resistance | flame retardand UL 1581 Section 1090 (H), CSA FT2 / IEC 60332-2-2 |
| Nominal voltage | 300/300 V AC |
| Test voltage | 2000 V AC |
| Current load capacity | to DIN VDE 0298-4 |
| Temperature range (mobile) | -20...+90 °C |
| Bend radius (moving) | 10× outer Ø |
| No. of bending cycles (C-track) | max. 5 Mio. |
| Traversing distance (C-track) | max. 5 m (horizontal) |
| Travel speed (C-track) | max. 2 m/s |
| Acceleration (C-track) | max. 5 m/s ² |

Commercial data

| | |
|-----------------------|---------------|
| country of origin | DE |
| customs tariff number | 85444290 |
| EAN | 4048879187794 |
| eClass | 27279218 |
| Packaging unit | 1.000 |