

**M8 female 0° SnapIn with cable**

PUR 5x0.25 bk UL 2m

Female straight

Snap In

M8, 5-pole

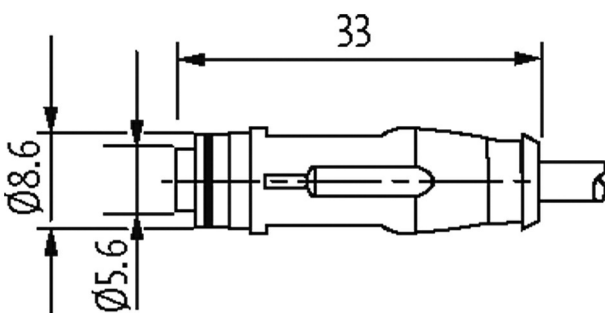
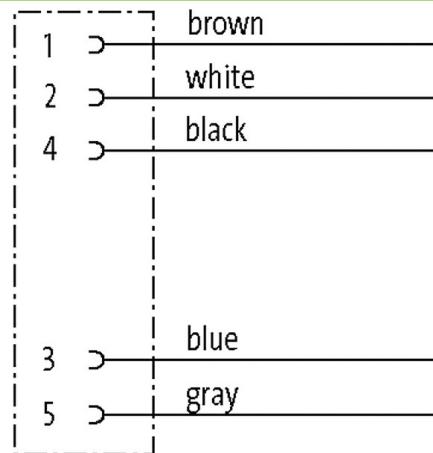
B-coded

with cable sleeves

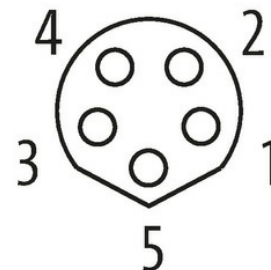
Plastic housings with good resistance against chemicals and oils.

The resistance to aggressive media should be individually tested for your application. Further details on request.

Further cable lengths on request.

**Link to Product****Illustration**

Female



Product may differ from Image

**Form**

Form

08945

**Technical Data**

The information in this brochure has been compiled with the utmost care.  
 Liability for the correctness completeness and topicality of the information is restricted to gross negligence. Version: 03/22

|                               |                   |
|-------------------------------|-------------------|
| Operating voltage             | max. 30 V AC/DC   |
| Operating current per contact | max. 3 A          |
| No. of poles                  | 5                 |
| Coding                        | B-coded           |
| Mating cycles                 | ≥ 100             |
| LED display                   | no                |
| Locking of ports              | Snap-in connector |
| Compression gland             | M8 Snap In        |
| Protection                    | IP67              |
| Material                      | TPU               |

#### General data

|                    |              |
|--------------------|--------------|
| Mounting method    | inserted     |
| Material (contact) | Copper alloy |
| Pollution Degree   | 3/2          |
| Temperature range  | -30...+80 °C |

#### Cables

|                                 |  |
|---------------------------------|--|
| Cable identification            | 695                                    |
| Material (wire)                 | Cu wire, bare                          |
| Resistor (core)                 | max. 58 Ω/km (20 °C)                   |
| Single wire Ø (core)            | 0.1 mm                                 |
| Construction (core)             | 32× 0.1 mm (multi-strand wire class 6) |
| Diameter (core)                 | 5× 0.25 mm <sup>2</sup>                |
| AWG                             | similar to AWG 24                      |
| Material (wire isolation)       | PP                                     |
| Wire-Ø incl. isolation          | 1.2 mm ±5%                             |
| Stranding combination           | 5 wires twisted around central filler  |
| Shield                          | no                                     |
| Material (jacket)               | PUR                                    |
| Outer-Ø (jacket)                | 4.7 mm ±5%                             |
| Color (jacket)                  | black                                  |
| Nominal voltage                 | 300 V                                  |
| Test voltage                    | 3000 V AC                              |
| Temperature range (fixed)       | -25...+80 °C                           |
| Temperature range (mobile)      | -10...+80 °C                           |
| Bend radius (moving)            | 7.5× outer Ø                           |
| No. of bending cycles (C-track) | max. 5 Mio. (25 °C)                    |
| Travel speed (C-track)          | max. 3 m/s                             |
| Acceleration (C-track)          | max. 5 m/s <sup>2</sup>                |

#### Commercial data

|                       |               |
|-----------------------|---------------|
| country of origin     | CZ            |
| customs tariff number | 85444290      |
| EAN                   | 4048879737111 |
| eClass                | 27279218      |
| Packaging unit        | 1.000         |