

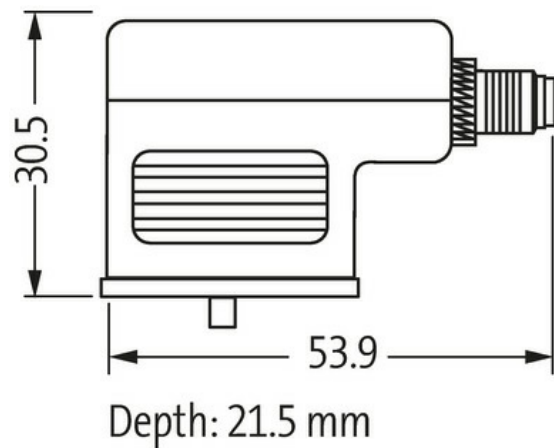
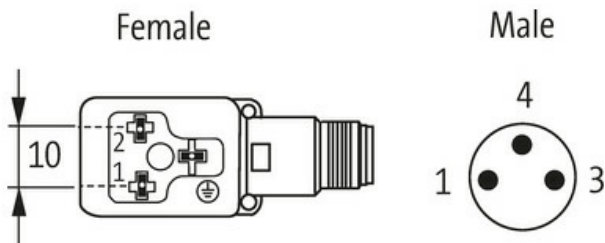
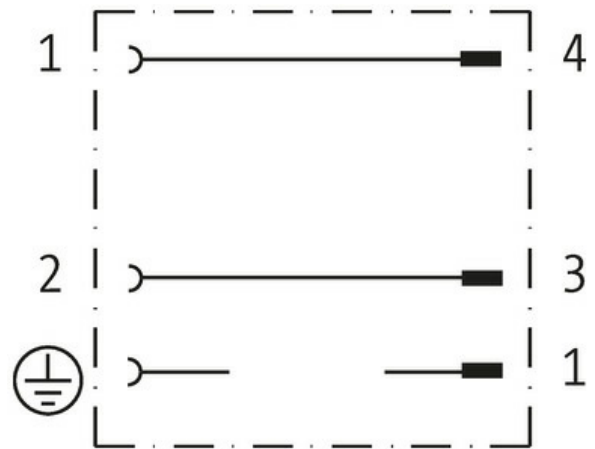
M8 ADAPTOR ON REAR OF MSUD VALVE PLUG FORM B 10 MM

Without electronics 60 V AC/DC

Form B (10 mm) – M8, connector at the rear
 max. 60 V AC/DC
 without components
 3-pole

Plastic housings with good resistance against chemicals and oils.

The resistance to aggressive media should be individually tested for your application. Further details on request.

[Link to Product](#)**Illustration**

Product may differ from Image

**Form**

Form 88931

Technical Data

Operating voltage max. 60 V AC/DC

Rated surge voltage	1.5 kV
Operating current per contact	max. 4 A
Material group	IEC 60664-1, category I
LED display	no
Locking of ports	M3/M8 (recommended torque 0.4 Nm)
Protection	IP67 inserted and tightened (EN 60529)
Locking material	Steel (galvanized)
Configuration	2 contacts + PE

General data

Mounting method	inserted, tightened
Pollution Degree	3
Temperature range	-25...+85 °C

Commercial data

country of origin	CZ
customs tariff number	85366990
EAN	4048879115933
eClass	27143423
Packaging unit	1.000