

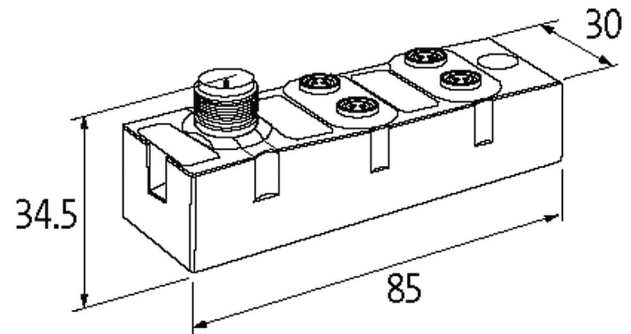
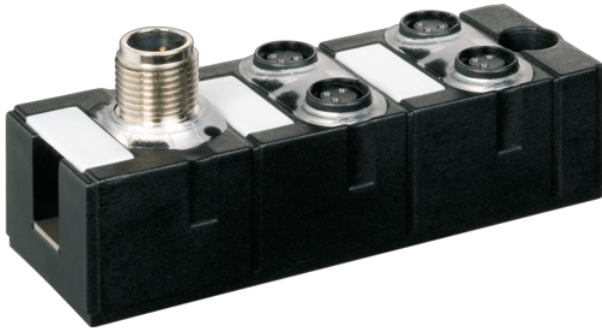
MASI68 DI4/0,18A 4xM8

Compact module

DI4 - 0.2 A (C) - 4× M8

Connection cables are in the online shop under "Connection Technology".

Housing fully potted.

[Link to Product](#)**Illustration**

Product may differ from Image

**Technical Data**

Bus voltage (AS-Interface)	26.5...31.6 V DC
Profile (IO/ID/ID2 code)	S-0.0.0
Addressing	via master or M12 connection and programming device
Address range	1...31
Total current	max. 250 mA

General data

Mounting method	screw fixing
Temperature range	-20...+60 °C (storage temperature -20...+70 °C)
Protection	IP68
Dimensions H×W×D	85×30×34.5 mm

Input

Sensor supply US	max. 180 mA from AS-Interface (short-circuit and overload protected)
Type	for 3-wire sensors or mechanical switches, PNP

Connections

Fieldbus	A-coded
I/O ports	M8, 3-pole

Diagnostic

Communication status	via LED
Diagnostic via LED	per module
Monitoring - no voltage	yes

Commercial data

country of origin	DE
customs tariff number	85176200
EAN	4048879048828

eClass	27242604
Packaging unit	1.000
