

MPUUW ANALOG COUPLER COMPONENT

IN: 0..10 V - OUT: 0..10 V / 300 mA

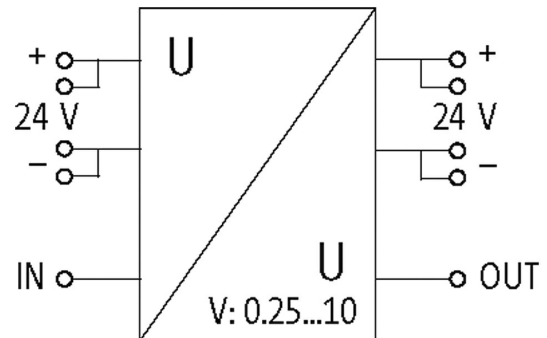
INPUT: 0...10 V DC

OUTPUT: 0...10 V DC, 300 mA

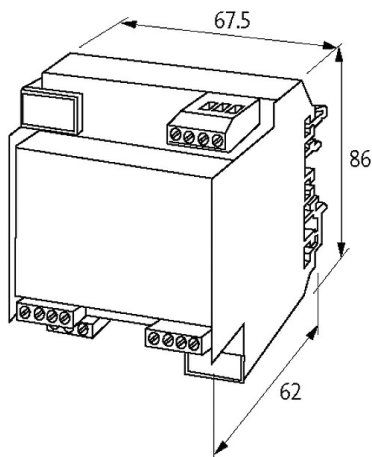
Screw terminals

This product is a processing component and must only be used by authorized manufacturers or people.

Input and output galvanically separated

[Link to Product](#)**Illustration**

Regular voltage amplification



Product may differ from Image

Technical Data

Operating voltage	24 V DC $\pm 20\%$, smoothed
Operating current	max. 300 mA
Frequency	max. 1 kHz
Tolerance	max. 0.5%

General data

Mounting method	DIN-rail mountable (EN 60715)
Temperature range	0...+50 °C
Dimensions HxWxD	62x86x67.5 mm

Voltage output signals

The information in this brochure has been compiled with the utmost care. Liability for the correctness completeness and topicality of the information is restricted to gross negligence. Version: 03/22

Load max. 300 mA

Commercial data

country of origin	CZ
customs tariff number	85437090
EAN	4048879028516
eClass	27210990
Packaging unit	1.000