

M12 male 0° / M12 male 0° D-cod. shielded

TPE 22AWG SF/UTP CAT5e gn UL/CSA. ITC/PLTC 6m

USA

Ethernet CAT5

The resistance to aggressive media should be individually tested for your application. Further details on request.

Male straight – male straight

M12 – M12, 4-pole

D-coded

shielded

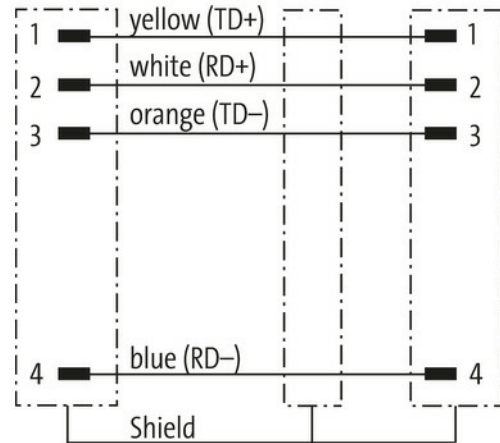
without cable sleeves

Further cable lengths on request.

Plastic housings with good resistance against chemicals and oils.

[Link to Product](#)

Illustration



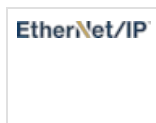
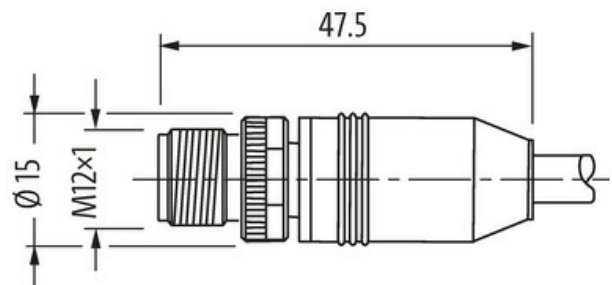
Male



Male



Product may differ from Image



* only for products with UL/CSA approved cable

Form

Form

44511

| Technical Data | |
|---|--|
| Operating voltage | max. 60 V DC |
| Rated surge voltage | 1.5 kV |
| | 1.5 A |
| No. of poles | 4 |
| Transfer parameters | CAT5, Class D (ISO/IEC 11801:2002), (EN 50173-1) |
| Transfer rate | up to 100 Mbit/s full duplex |
| Material group | IEC 60664-1, category I |
| Coding | D-coded |
| LED display | no |
| Locking of ports | Screw thread (M12×1 mm) recommended torque 0.6 Nm, self-securing |
| Compression gland | M12 (SW13) |
| Protection | IP65, IP66K, IP67 inserted and tightened (EN 60529) |
| Material | PUR |
| Locking material | Zinc die casting, matte nickel plated |
| suitable for corrugated tube (internal Ø) | without |
| General data | |
| Standards | DIN EN 61076-2-101 (M12) |
| Mounting method | inserted, tightened |
| Pollution Degree | 3 |
| Temperature range | -25...+85 °C, depending on cable quality |
| Cables | |
| Cable identification | S7V |
| Cable weight [g/m] | 74,8 g |
| Material (wire) | Cu wire, tin plated |
| Construction (core) | 19× 0.16 mm (multi-strand wire class 5) |
| Diameter (core) | 2× 2× 0.34 mm ² |
| Material (wire isolation) | HDPE |
| Wire-Ø incl. isolation | 1.42 mm ±5% |
| Shield | yes |
| Material (jacket) | TPE |
| Outer-Ø (jacket) | 7.9 mm ±5% |
| Color (jacket) | green |
| Temperature range (fixed) | -40...+80 °C |
| Temperature range (mobile) | -20...+80 °C |
| Bend radius (fixed) | 5× outer Ø |
| Bend radius (moving) | 10× outer Ø |
| Torsion stress | 3 Mio. |
| Commercial data | |
| country of origin | DE |
| customs tariff number | 85444290 |
| EAN | 4048879649117 |
| eClass | 27061801 |
| Packaging unit | 1.000 |