

**MVP12-Metal 8xM12 DI16 IOL**

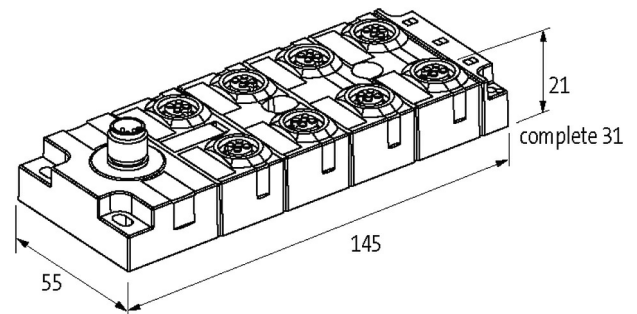
IO-Link Version 1.1

Compact module

IO-Link V1.1

Connection cables are in the online shop under "Connection Technology".

Housing fully potted.

**Link to Product****Illustration**

Product may differ from Image

**General data**

Mounting method	4 hole screw mounting
Temperature range	-25...+70 °C (storage temperature -40...+70 °C)
Protection	IP67
Dimensions HxWxD	145x55x32 mm

**Input**

Type	PNP (EN 61131-2) Type 3
Input filter	1 ms

**IO-Link**

Specification	IO-Link V1.1
Port Class	A
IO-Link	Device
Operating modes	COM2 (38.4 kbps)
Cycle time	2.3 ms

**Parameterization**

PIN 4	Input
PIN 2	Input

**Diagnostic**

Communication status	via LED
Diagnostic via LED	per module and channel
Monitoring - under voltage	yes
Monitoring - no voltage	yes
Short-circuit and overload	yes, single channel shutoff

**Commercial data**

country of origin	DE
-------------------	----

The information in this brochure has been compiled with the utmost care.  
Liability for the correctness completeness and topicality of the information is restricted to gross negligence. Version: 03/22

customs tariff number	85176200
EAN	4048879740104
eClass	27242604
Packaging unit	1.000