

**M12 male 0° / M12 fem. 0° shielded 8p.**

Specification: 6FX5002-2DC34-1AH5

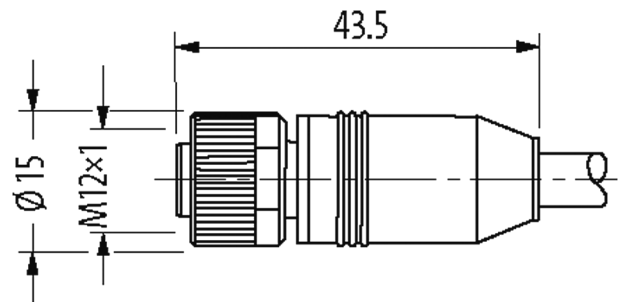
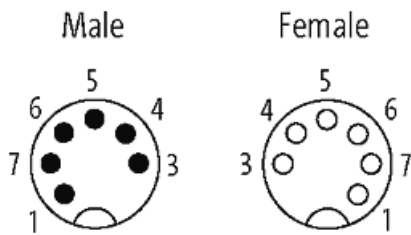
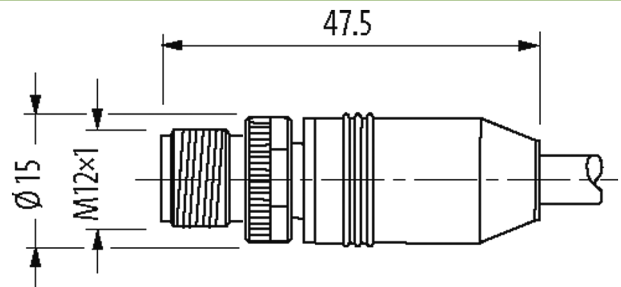
Male straight – female straight

M12 – M12, 8-pole

Further cable lengths on request.

Plastic housings with good resistance against chemicals and oils.

The resistance to aggressive media should be individually tested for your application. Further details on request.

**Link to Product****Illustration**

Product may differ from Image

**Form**

Form SS081

**Technical Data**

Operating voltage	max. 30 V AC/DC
Operating current per contact	max. 2 A
Coding	A-coded
Locking of ports	Screw thread (M12x1 mm) recommended torque 0.6 Nm, self-securing
Compression gland	torque calibrated 0.6 Nm
Protection	IP67
Material	Brass, nickel plated

**General data**

Temperature range -25...+85 °C, depending on cable quality

**Cables**

Cable number	881
No./diameter of wires	2x 2x AWG24 + 1x 2x AWG22
Wire isolation	PE (gnye, pkbl, rdbk)
C-track properties	0.1 Mio.
Torsion stress	±30°/m
Jacket Color	green

Material (jacket)	PVC (UL/CSA)
Specification	6FX5008-1DC00
Outer Ø	6.9 mm ±5%
Bend radius (fixed)	5× outer Ø
Bend radius (moving)	20× outer Ø
Temperature range (fixed)	-20...+70 °C
Temperature range (mobile)	-5...+70 °C
Shield	yes

**Commercial data**

country of origin	DE
customs tariff number	85444290
EAN	4048879617307
eClass	27061801
Packaging unit	1