

MICO 4.10 SPEED-START electronic circuit protection

4 channels

MICO 4.10 SPEED START

4 channels

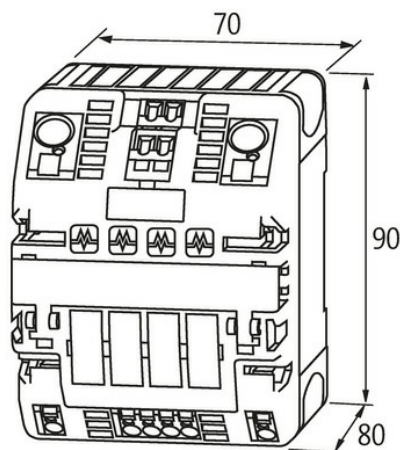
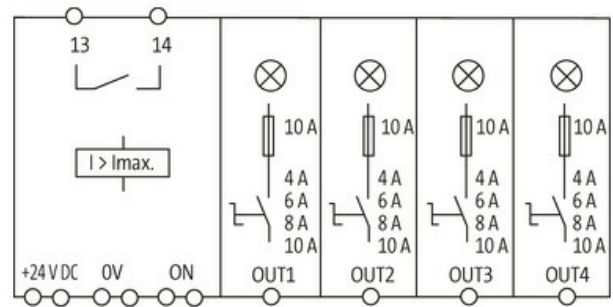
Current adjustment 4, 6, 8, 10 A

optimized start-up behavior

max. 30 mF (per channel)

[Link to Product](#)

Illustration



Product may differ from Image



General data

| | |
|-------------------|--|
| Mounting method | DIN-rail mountable TH35 (EN 60715) |
| Temperature range | 0...+55 °C (storage temperature -40...+80 °C) |
| Connection | Spring clamp terminals |
| Dimensions H×W×D | 90×70×80 mm |
| Bridging concept | two sides, with spring clamp terminals or bridge set (max. 40 A) |

| | |
|------------------------|---|
| Output terminals | per output 1 × 4 mm ² |
| Input terminals | 2 × 16 mm ² |
| Alarm terminals | 2.5 mm ² |
| Output | |
| Inrush capacity | max. 30 mF (per channel) |
| Current adjustment | 4 A, 6 A, 8 A, 10 A, by countersunk rotary switch, sealed |
| Input | |
| Operating voltage | 24 V DC (18...30 V DC) |
| Control inputs | |
| Input voltage (ON) | 10...30 V DC |
| Impulse length (ON) | min. 20 ms |
| Control outputs | |
| Group alarm output | potential free 30 V AC/DC, 100 mA |
| Commercial data | |
| country of origin | CZ |
| customs tariff number | 85363010 |
| EAN | 4048879283564 |
| eClass | 27371802 |
| Packaging unit | 1.000 |