

EXACT8, 4XM8, 3 POLE

Conn. M12 8 pole

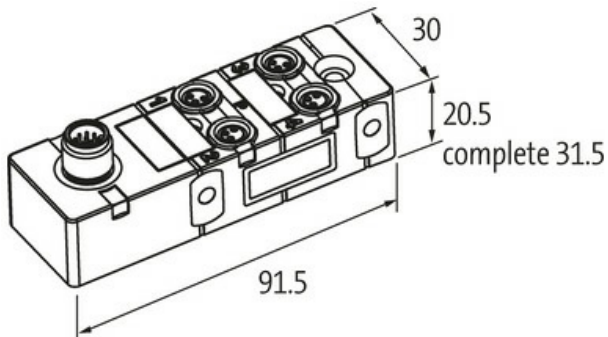
4-way, 3-pole

M12 (8-pole)

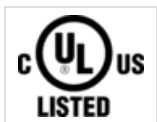
Inline face or side mounting

Plastic housings with good resistance against chemicals and oils.

The resistance to aggressive media should be individually tested for your application. Further details on request.

[Link to Product](#)**Illustration**

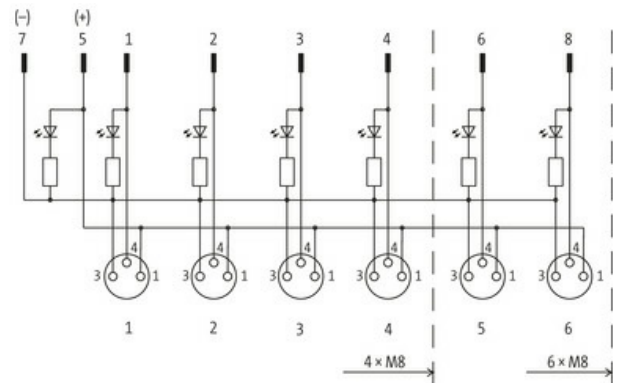
Product may differ from Image

**Technical Data**

Operating voltage	24 V DC
Operating current per contact	max. 2 A
Protection	IP65/IP67
Housing	Plastic, flame retardant

General data

Temperature range	-20...+70 °C, depending on cable quality
-------------------	--

Contact Layout

M8-Females

3-pole

4 (N/O)

3 (-)

1 (+)

M12-Plug

8-pole

6

5

4

7

8

1

2

3

4

5

6

7

8

1

2

3

4

5

6

7

8

1

2

3

4

5

6

7

8

1

2

3

4

5

6

7

8

for 1 signal per port

PIN 1	(+)
PIN 3	(-)
PIN 4	(NO)/(S1)
	LED (green): Power / LED (yellow): (S1)

Commercial data

country of origin	DE
customs tariff number	85369010
EAN	4048879056304
eClass	27279219
Packaging unit	1.000