

IMPACT67 E DIO16 4P

IMPACT67 EthernetIP compact module, plastic housing,

Digital inputs/outputs

DIO16

Ethernet 10/100 Mbit/s; M12, D-coded

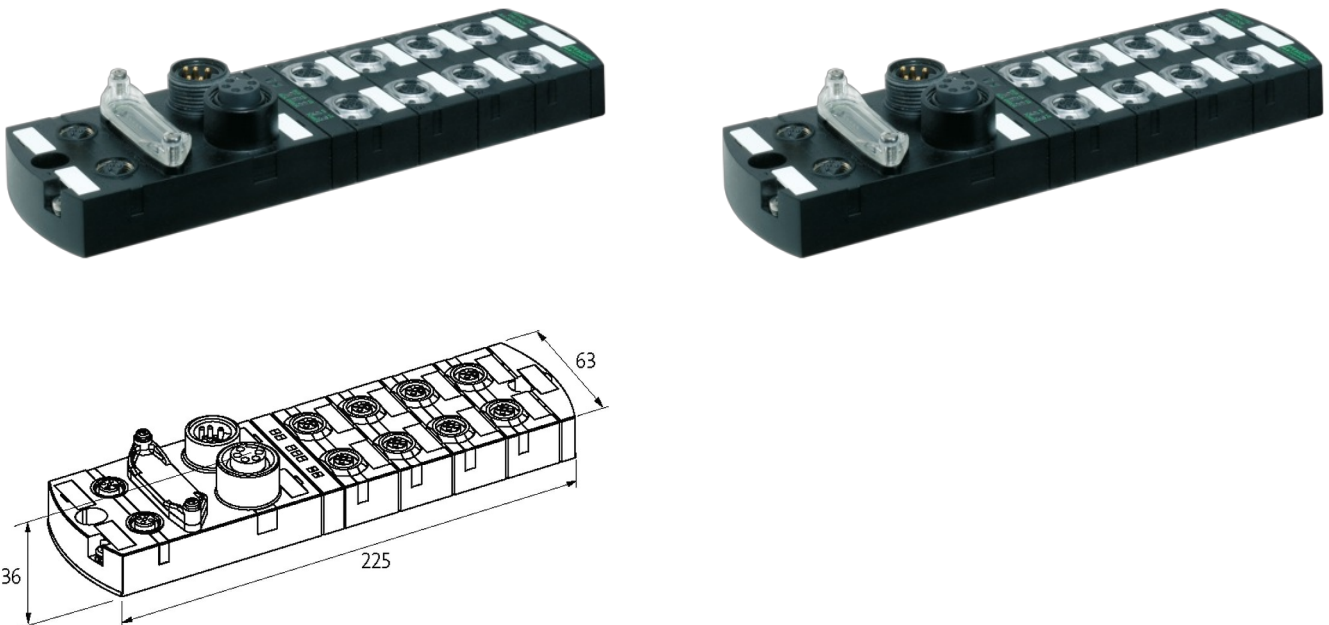
7/8", 4-pole, 2× max. 9 A

M12, 5-pole, A-coded

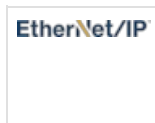
DLR (Device Level Ring)

Connection cables are in the online shop under "Connection Technology".

Housing fully potted.

[Link to Product](#)**Illustration**

Product may differ from Image

**General data**

Mounting method	2-hole screw mounting, compatible with I/O modules of MVK model range
Temperature range	-25...+55 °C (storage temperature -40...+85 °C)
Protection	IP67
Dimensions H×W×D	39×63×225 mm

Output

Lamp load	10 W
Actuator supply UA	24 V DC (EN 61131-2), max. 9 A
Switching current per output	max. 1.6 A (short-circuit and overload protected)

Input

Sensor supply US	24 V DC (EN 61131-2), max. 200 mA (M12 female), short-circuit and overload protected
Type	for 3-wire sensors or mechanical switches, PNP

Parameterization

The information in this brochure has been compiled with the utmost care.

Liability for the correctness completeness and topicality of the information is restricted to gross negligence. Version: 03/22

PIN 4	Input/Output (port X0...X7)
-------	-----------------------------

PIN 2	Input/Output (port X0...X7)
-------	-----------------------------

Connections

Fieldbus	Ethernet 10/100 Mbit/s; M12, D-coded
----------	--------------------------------------

Sensor-system/actuator supply	7/8", 4-pole, 2× max. 9 A
-------------------------------	---------------------------

I/O ports	M12, 5-pole, A-coded
-----------	----------------------

EtherNet/IP

Multiple connections	yes
----------------------	-----

QC (Quick Connect)	max. 360 ms
--------------------	-------------

CIP Sync	yes
----------	-----

Composite Test Revision	CT14
-------------------------	------

Addressing	DHCP, BOOTP or IP address by DIP switch
------------	---

DLR (Device Level Ring)	yes
-------------------------	-----

Diagnostic

Communication status	via LED
----------------------	---------

Diagnostic via LED	per module and channel
--------------------	------------------------

Diagnostic via BUS	per module and channel
--------------------	------------------------

Actuator warning	per channel via LED and BUS
------------------	-----------------------------

Monitoring - under voltage	yes
----------------------------	-----

Monitoring - no voltage	yes
-------------------------	-----

Commercial data

country of origin	DE
-------------------	----

customs tariff number	85389099
-----------------------	----------

EAN	4048879699723
-----	---------------

eClass	27242604
--------	----------

Packaging unit	1.000
----------------	-------