

PUSH PULL POWER 5 POLE FIELD- WIREABLE

Male straight

PPP, 5-pole

Spring clamp terminals

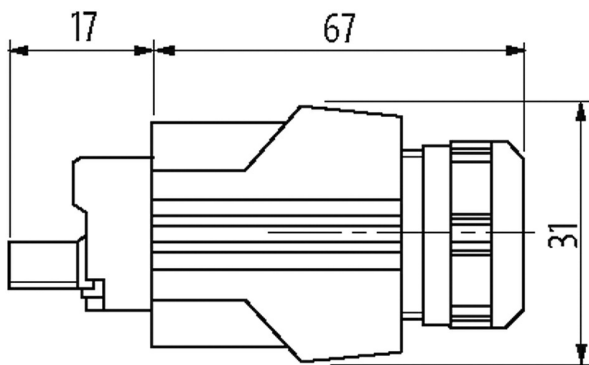
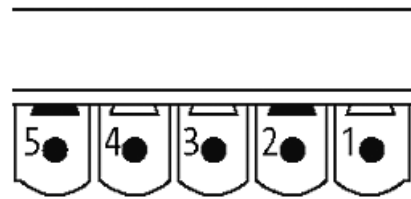
Connection cross section: 0.75...2.5 mm²

Push Pull Power

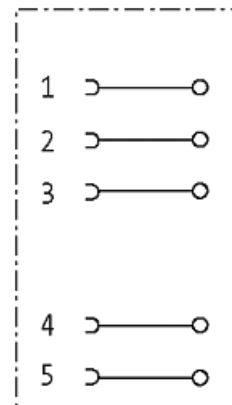
The resistance to aggressive media should be individually tested for your application. Further details on request.

[Link to Product](#)

Illustration



Height: 36 mm



Product may differ from Image



Form

Form 99601

Technical Data

Operating voltage	max. 24 V AC/DC
Rated surge voltage	4.0 kV
Operating current per contact	max. 16 A
Connection cross section	0.75...2.5 mm ² (AWG 18...14)
Sealing range (cable Ø)	9...13 mm
Protection	IP65 and IP67 when plugged and screwed down (EN 60529)
Material	Zinc die casting, matte nickel plated

General data

Pollution Degree	2
Mating cycles	≥ 100
Temperature range	-40...+70 °C

Commercial data

country of origin	PL
customs tariff number	85366990
EAN	4048879113915
eClass	27279221
Packaging unit	1