

CUBE67 I/O COMPACT MODULE, 8 multifunction channels

Cube67 DIO8 C 4xM8 4-pole

Compact module

DIO8 - 0.5 A (C) - 4x M8

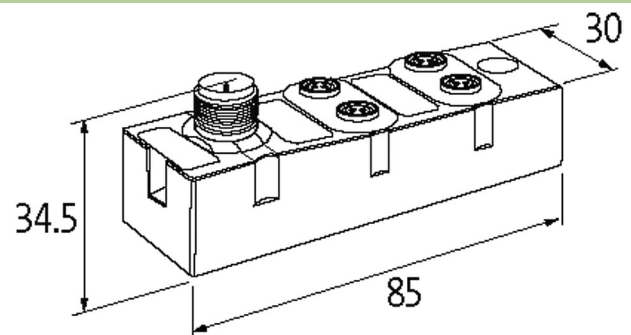
4-pole

short-circuit and overload protected

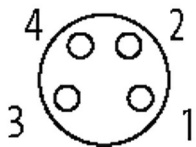
Digital inputs/outputs (multifunctional)

Connection cables are in the online shop under "Connection Technology".

Housing fully potted.

[Link to Product](#)**Illustration**

Female



PIN 1: Us: +24 V

PIN 2: DIO 0.5 A 0.x

PIN 3: 0 V DC

PIN 4: DIO 0.5 A 1.x

Product may differ from Image

**General data**

Mounting method	2-hole screw mounting
Temperature range	0...+55 °C (storage temperature -20...+75 °C)
Protection	IP67
Dimensions HxWxD	85x30x34.5 mm

Output

Lamp load	10 W
Actuator supply UA	24 V DC (EN 61131-2), via system connection (max. 4 A)
Switching current per output	max. 0.5 A (short-circuit and overload protected)

Input

Sensor supply US	24 V DC (EN 61131-2), max. 200 mA (M8 female), short-circuit and overload protected
------------------	---

Type	for 3-wire sensors or mechanical switches, PNP
Input filter	1 ms
Internal communication	
LED display	US: sensor supply and internal supply voltage (green: OK); UA: actuator supply (green: OK)
Current consumption	max. 30 mA
Parameterization	
PIN 4	Input/Output
PIN 2	Input/Output/Diagnostic
Connections	
Fieldbus	via internal system connection
Sensor-system/actuator supply	via internal system connection (max. 2x 4 A)
I/O ports	M8 (female) 4-pole, A-coded
Diagnostic	
Communication status	via LED
Diagnostic via LED	per module and channel
Diagnostic via BUS	per module and channel
Actuator warning	per channel via LED and BUS
Monitoring - under voltage	yes
Monitoring - no voltage	yes
Short-circuit and overload	yes
Commercial data	
country of origin	DE
customs tariff number	85389099
EAN	4048879579636
eClass	27242604
Packaging unit	1.000